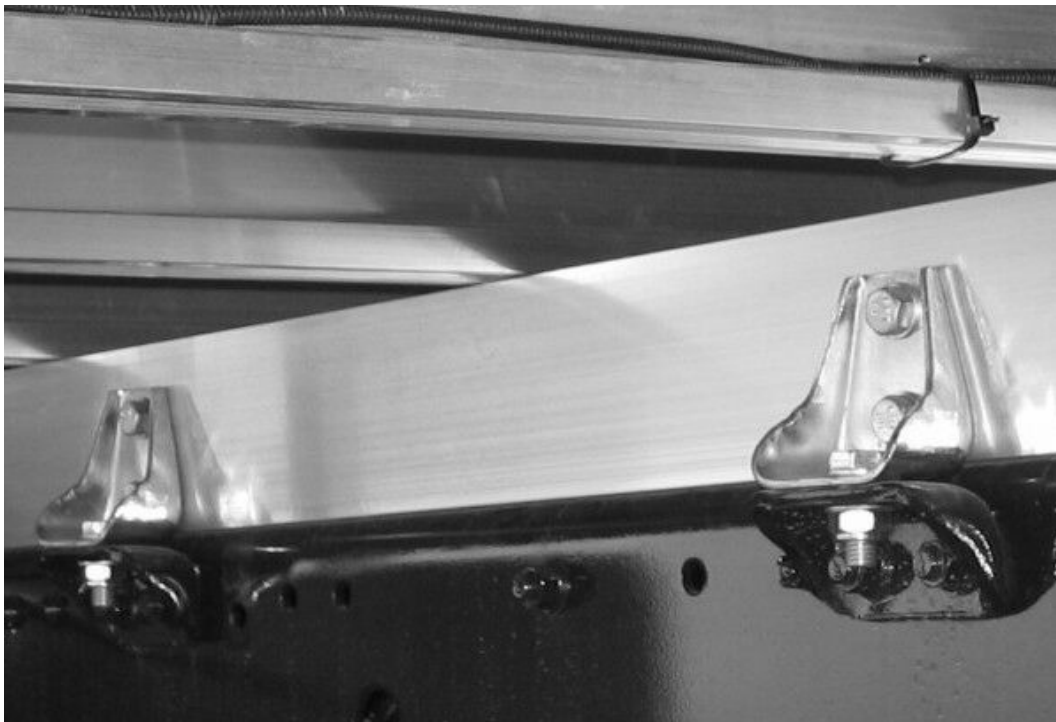
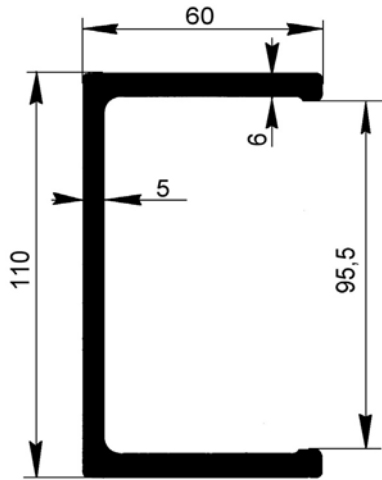
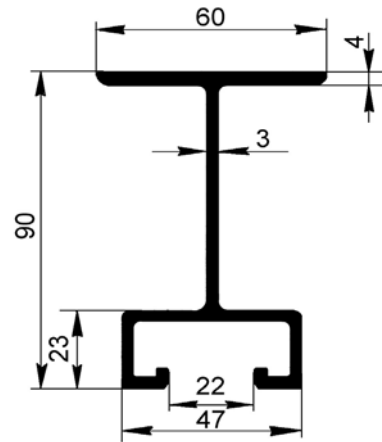
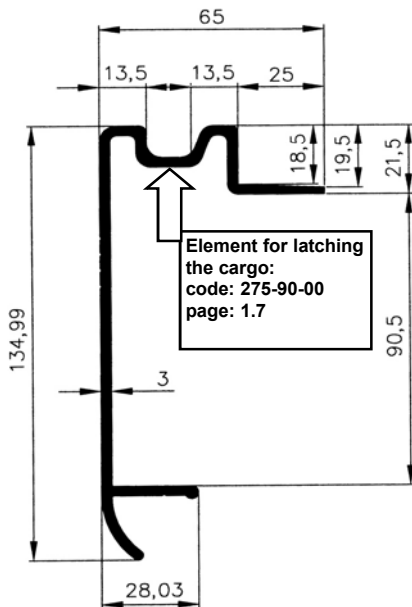
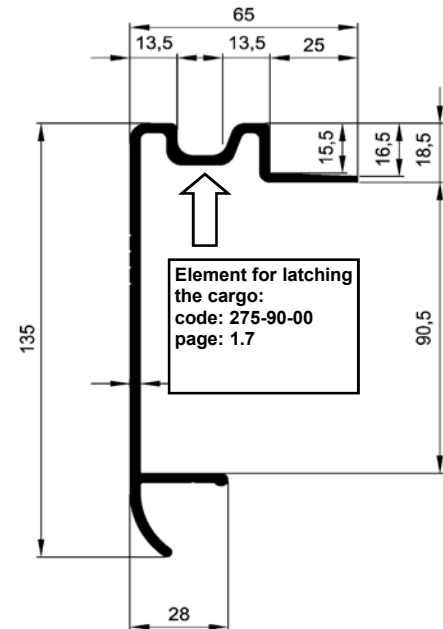




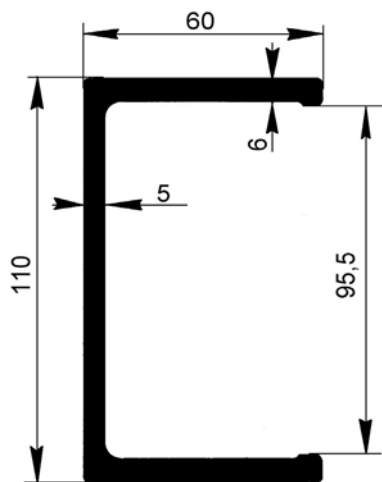
**ALUMINIUM SUBFRAME PROFILES AND  
LATCHING BRACKETS**



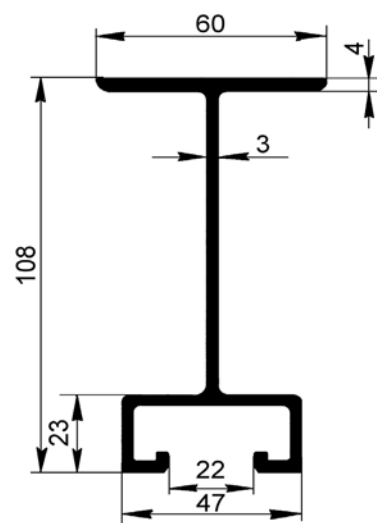



**1201-110-11**

**1202-90-11**

**1203-90-22**

**1203-15-22**

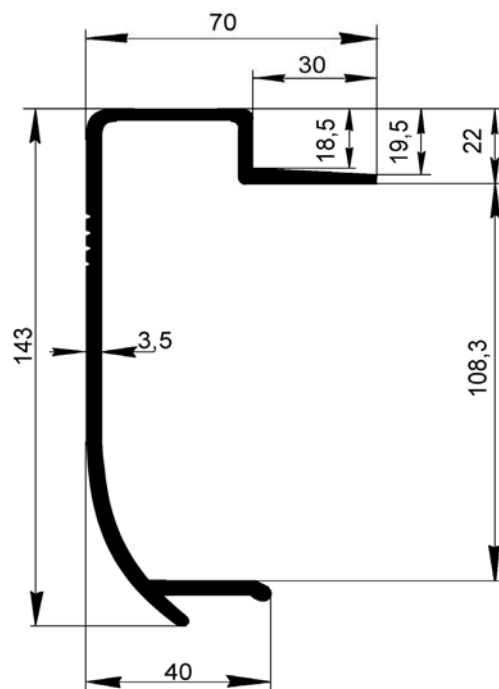
CODE.	DESCRIPTION	SURFACE	WEIGHT(kg)	LENGHT- m
<b>1201-110-11</b>	Aluminium runner profile	natur	3,32	5 - 6,6 - 7,5
<b>1202-90-11</b>	Aluminium bearer profile 90 mm	natur	2,2	2 - 2,2 - 2,5 - 2,55
<b>1203-90-22</b>	Al. frame profile for floor 18 mm	elox	1,96	6,6 - 7,5
<b>1203-15-22</b>	Al. frame profile for floor 15 mm	elox	1,93	6,6 - 7,5
<b>MATERIAL QUALITY:</b>		<b>AlMgSi 0,7 F27DIN</b>		



1201-110-11



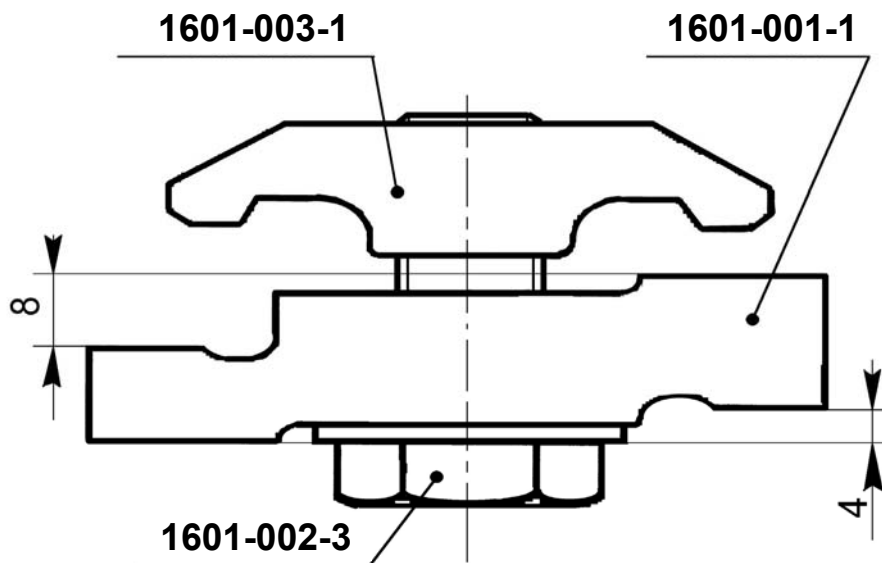
1202-108-21



1203-108-32

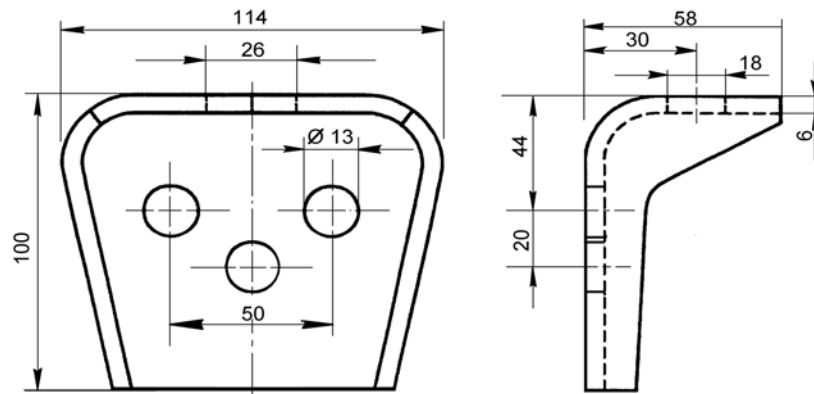
CODE.	DESCRIPTION	SURFACE	WEIGHT(kg)	LENGHT- m
1201-110-11	Aluminium runner profile	natur	3,32	5 - 6,6 - 7,5
1202-108-21	Aluminium bearer profile 108 mm	natur	2,285	7,5
1203-108-32	Al. frame profile 108 mm	elox	2,384	7,5

**MATERIAL QUALITY:** uzdužni i poprečni profili -AlMgSi 0,7 F27DIN okvirni profil-AlMgSi0,5 F25DIN

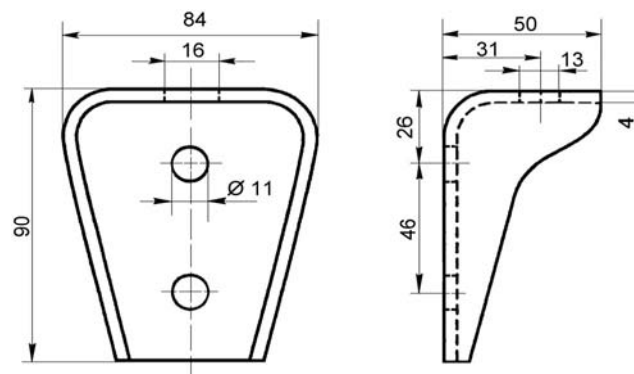


1601-010-00G

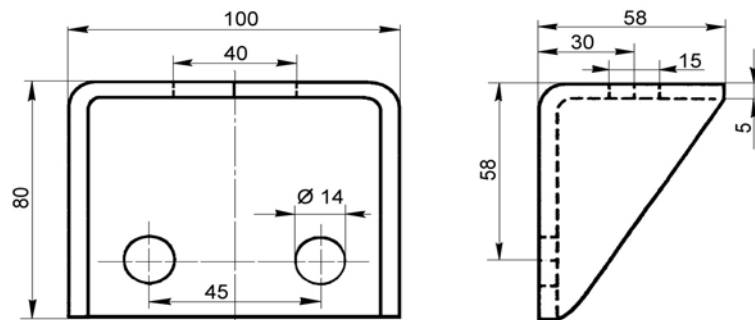
CODE.	DESCRIPTION	SURFACE	WEIGHT(kg)
1601-010-00G	1601-003-1 clamp overhead - Al.	natur	0,02
	1601-001-1 clamp lower - Al.	natur	0,08
	1601-002-3 nut screw 10x35	zinc plated	0,03



1602-001-3

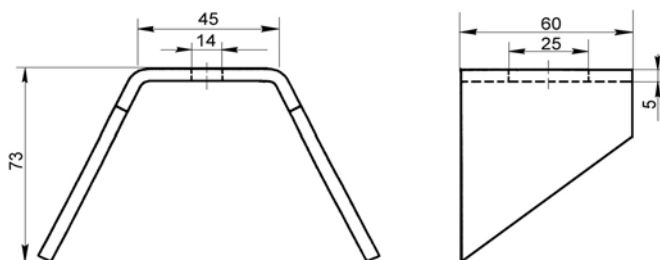


1602-0021-3

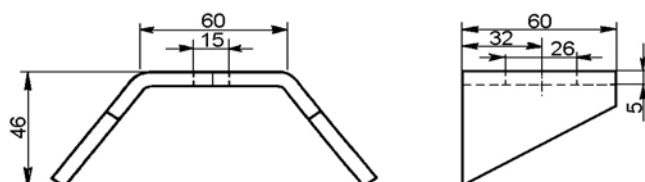


1602-0031-3

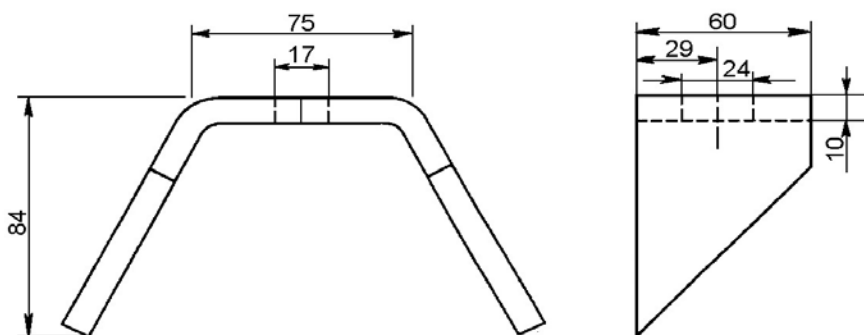
CODE	DESCRIPTION	SURFACE	WEIGHT(kg)
1602-001-3	heavy low sheet bracket	zinc plated	0,6
1602-0021-3	light sheet bracket	zinc plated	0,365
1602-0031-3	bracket for fiat 115-135.17	zinc plated	0,55



1603-001-8

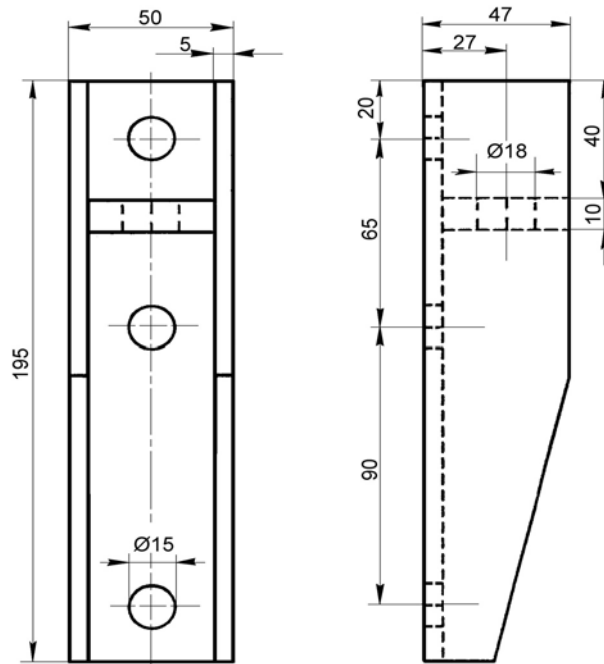


1603-002-8

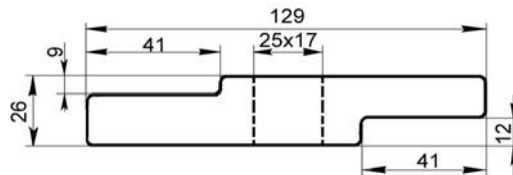
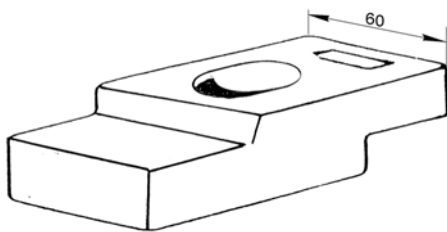


1603-003-8

CODE	DESCRIPTION	SURFACE	WEIGHT(kg)
1603-001-8	steel sheet bracket thickness 5mm	raw	0,3
1603-002-8	steel sheet bracket thickness 5mm	raw	0,35
1603-003-8	steel sheet bracket thickness 10mm	raw	0,8



1603-004-8

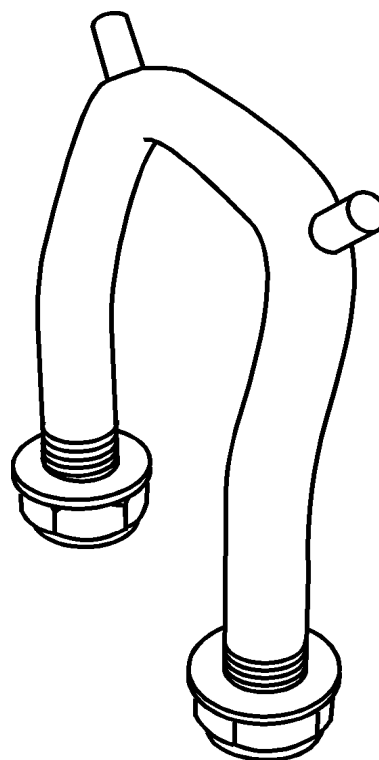
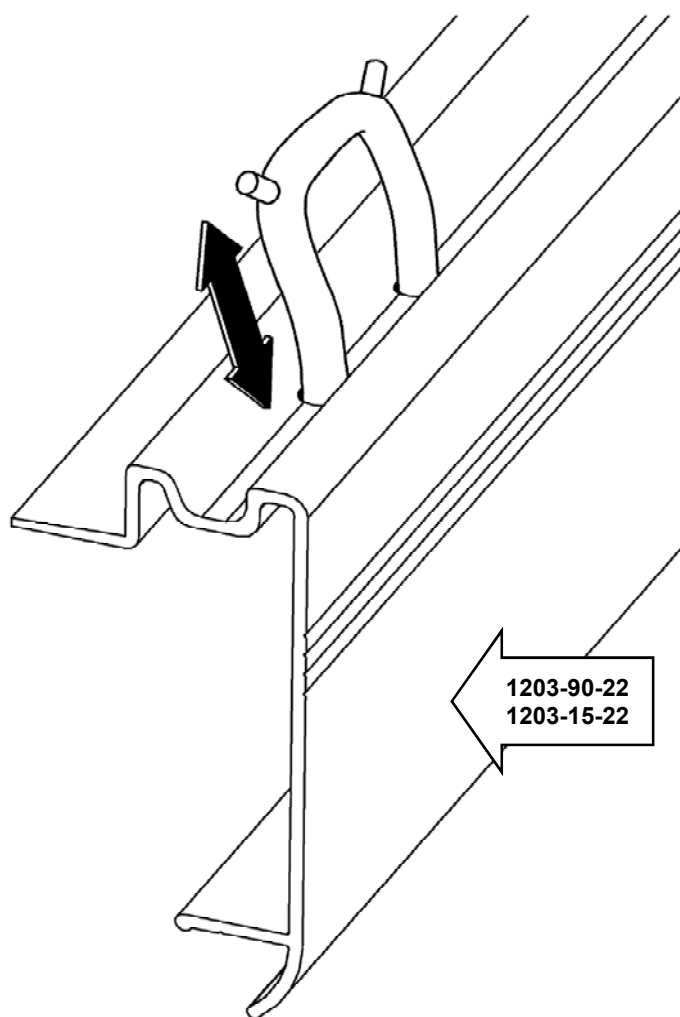


1602-002-3

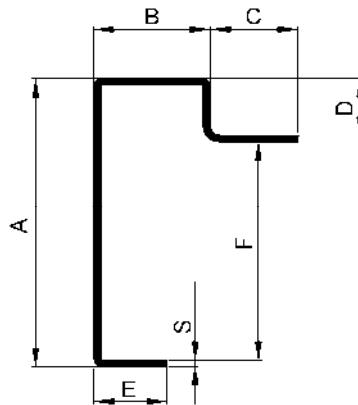
CODE	DESCRIPTION	SURFACE	WEIGHT(kg)
1603-004-8	Very high support for VOLVO wheelbase 60	raw	0,92
1602-002-3	body clamps 4/5, 5/6	zinc plated	1

KVALITET MATERIJALA:

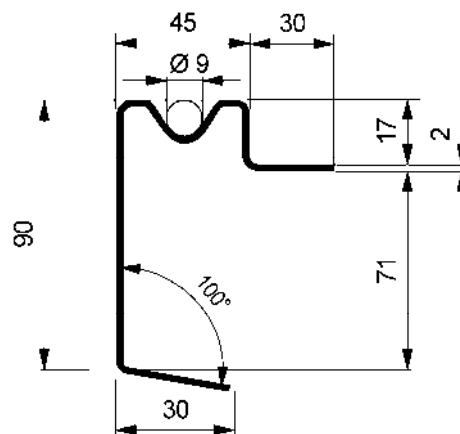




KATAL. BR.	DESCRIPTION	SURFACE	WEIGHT(kg)
275-92-00	Latching elements for frame profiles (Ø 10 mm)	pocinkovan	0,15



CODE	DESCRIPTION	S	leng.	A	B	C	D	E	F	WEIGHT(kg)
1103-1560-18	steel frame profile	2,0	6000	81	40	27	15	28	62	2,78
1103-1860-18	steel frame profile	2,0	6000	84	40	27	18	22	62	2,78
1103-2750-18	steel frame profile	2,0	6000	85	40	35	27	32	54	3,23
1103-2180-18	steel frame profile	2,5	6000	108	40	30	21	25	82	4,03
1103-2480-18	steel frame profile	3,0	6000	111	40	30	24	27	81	5,01
1103-2783-18	steel frame profile	3,0	6150	116	40	38	27	30	83	5,38
1103-3070-18	steel frame profile	3,0	6000	108	40	32	30	25	72	4,98
1103-3080-18	steel frame profile	3,5	6000	119	40	45	30	38	82	6,7
1103-2780-18	steel frame profile	4,0	6150	116	40	39	27	30	81	6,99
1103-3590-18	steel frame profile	4,0	6000	140	40	40	35	50	97	8,77
1103-3010-18	steel frame profile	4,0	6150	141	50	40	31	40	102	8,55
1103-3011-18	steel frame profile	4,0	8000	141	50	40	31	40	102	8,55
1103-4010-18	steel frame profile	4,0	6000	154	40	40	41	50	102	9,26



1103-1770-18

CODE	DESCRIPTION	SURFACE	WEIGHT(kg)	LENGHT- m
1103-1770-18	steel frame profile for floor thickness 17 mm with spout	natur	3,36	6,6