

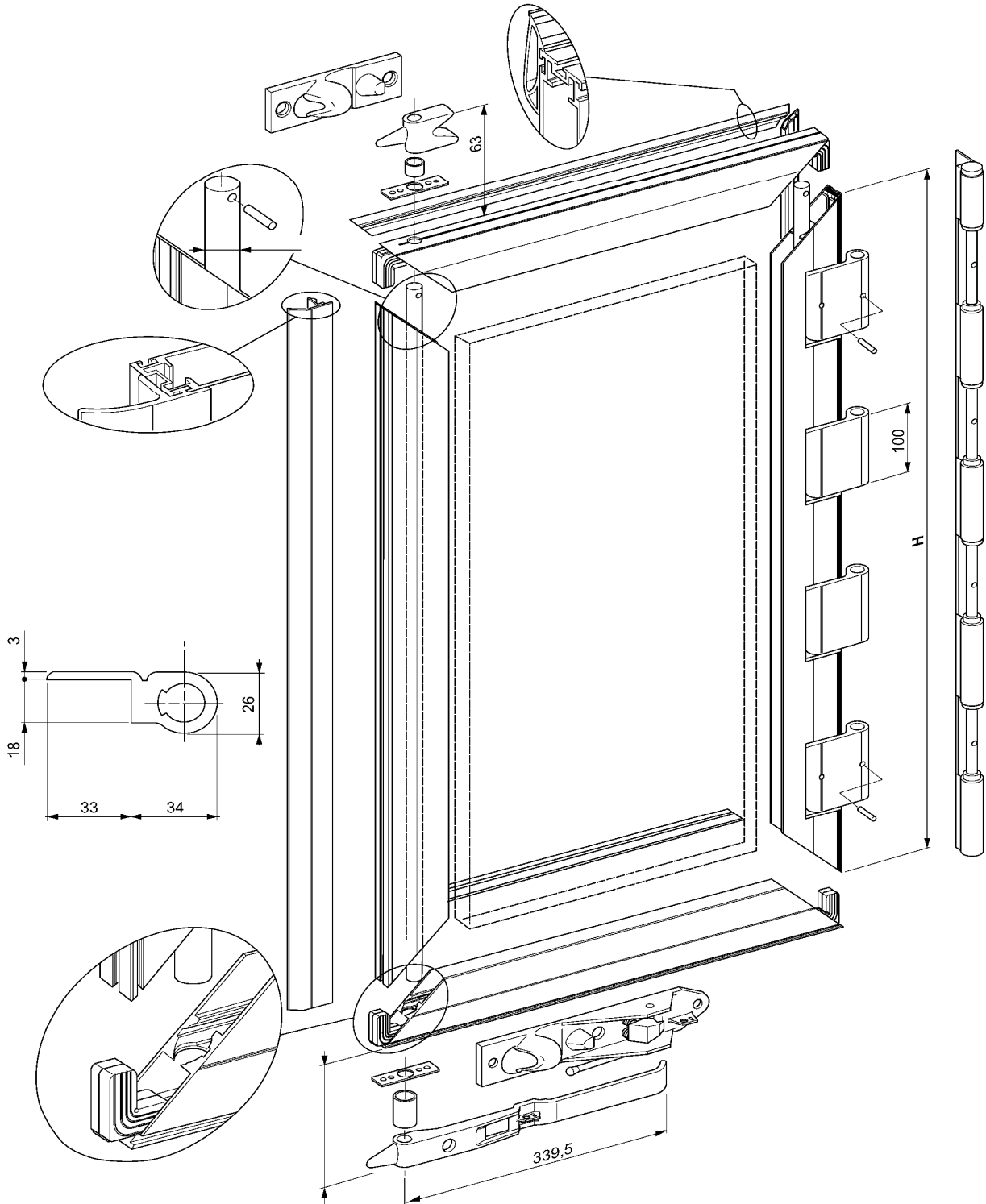


**KIT FOR TWOWING ALU REAR DOOR**



**KIT FOR TWOWIND ALU REAR DOOR WITH  
ALU. HINGES**

**EUROWIND**



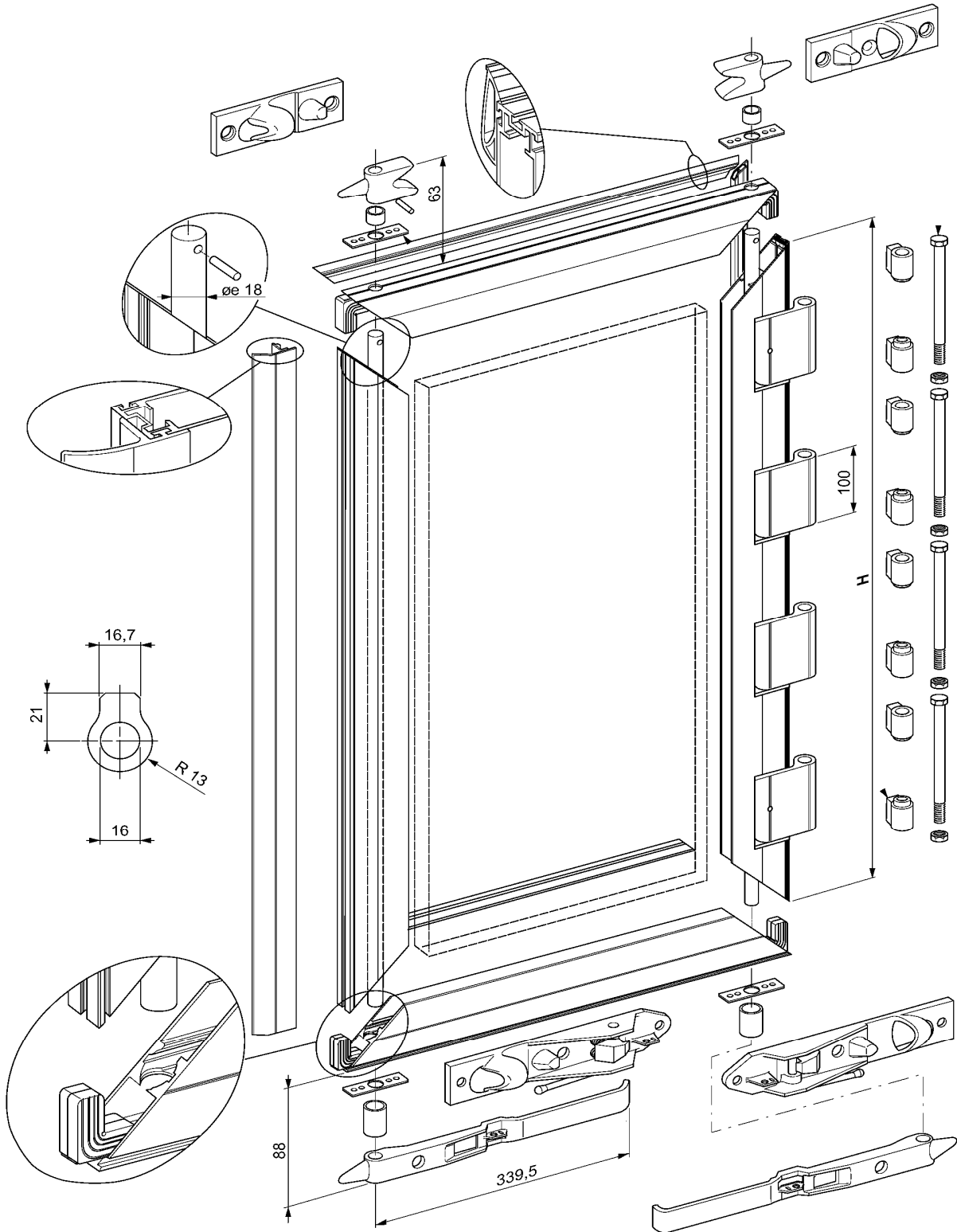


**KIT FOR TWOWIND ALU REAR DOOR WITH  
ALU. HINGES**

<b>code</b>	<b>Hight mm</b>	<b>hinges number</b>	<b>locks number</b>
<b>5103-2502-2</b>	2100 - 2500	4	2
<b>5103-2802-2</b>	2500 - 2800	4	2
<b>5103-3002-2</b>	2800 - 3000	5	2
<b>5103-3402-2</b>	3000 - 3400	5	2

<b>code</b>	<b>Hight mm</b>	<b>hinges number</b>	<b>locks number</b>
<b>5103-2504-2</b>	2100 - 2500	4	4
<b>5103-2804-2</b>	2500 - 2800	4	4
<b>5103-3004-2</b>	2800 - 3000	5	4
<b>5103-3404-2</b>	3000 - 3400	5	4

**KIT FOR TOWIND ALU REAR DOOR WITH  
WELDED ALU. HINGES**



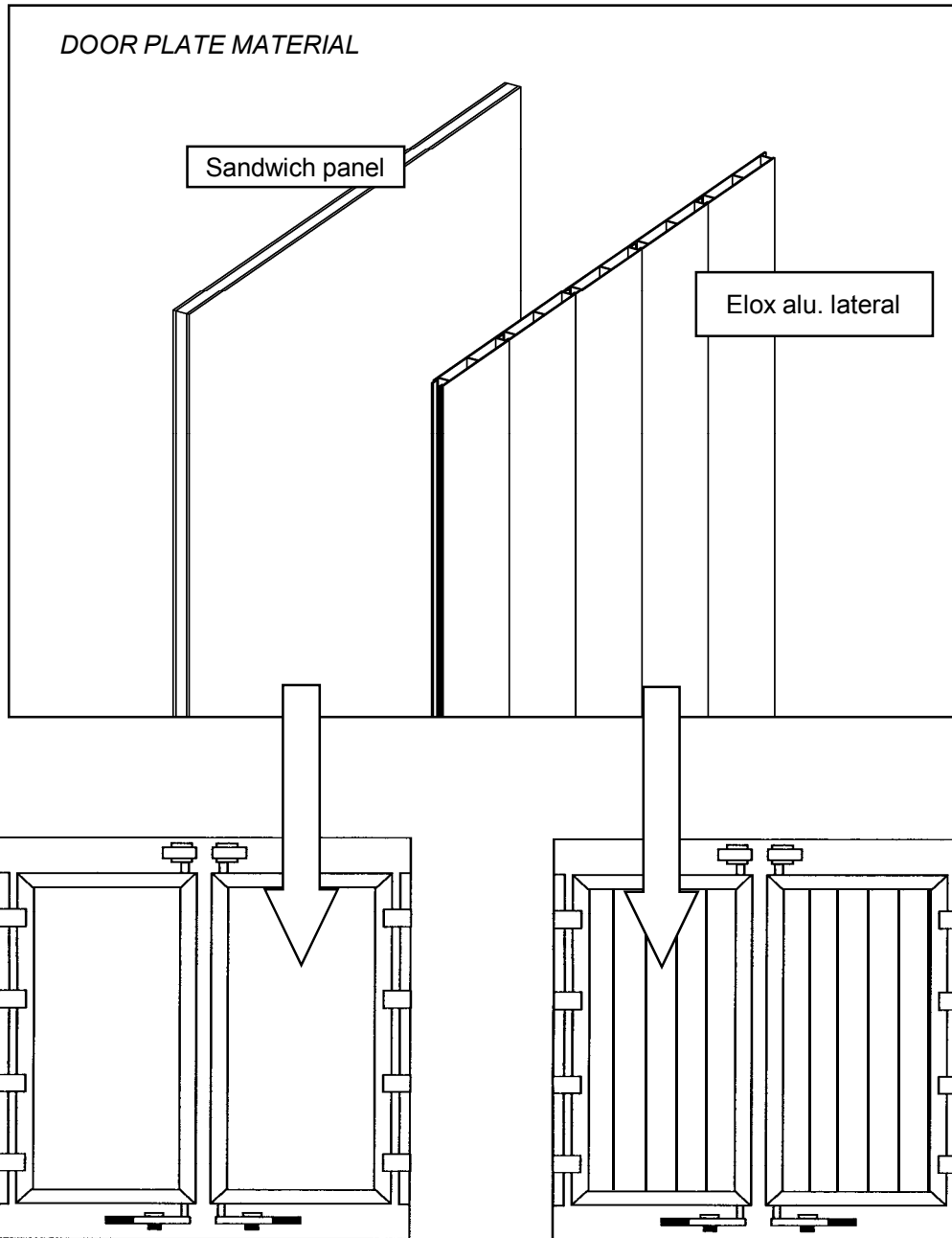


**KIT FOR TWOWIND ALU REAR DOOR WITH  
WELDED ALU. HINGES**

code	Hight mm	hinges number	locks number
5103-2502-4	2100 - 2500	4	2
5103-2802-4	2500 - 2800	4	2
5103-3002-4	2800 - 3000	5	2
5103-3402-4	3000 - 3400	5	2

code	Hight mm	hinges number	locks number
5103-2504-4	2100 - 2500	4	4
5103-2804-4	2500 - 2800	4	4
5103-3004-4	2800 - 3000	5	4
5103-3404-4	3000 - 3400	5	4

**KIT FOR TWOWIND ALU. REAR DOOR**

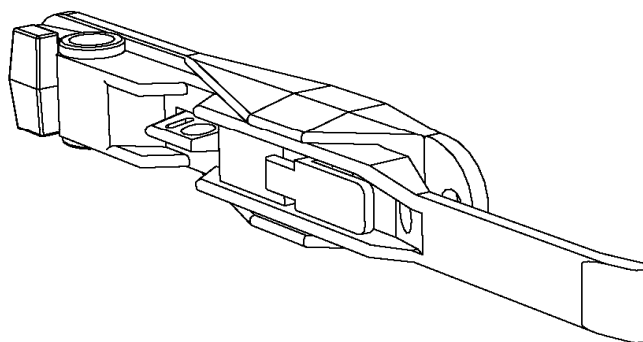
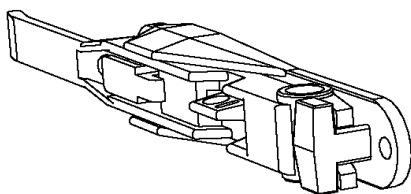
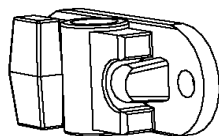
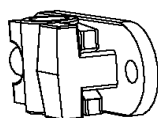


**Sandwich panel:** 25 mm thickness, external and internal side veneered with fiberglass  
a ferro PE plate

Aluminum profile: 25 mm thickness elox, profiles is lateral conected



**VERTICAL LOCK GARNITURE FOR KIT  
TWO WIND ALU. REAR DOOR**



Code	Description	Weight
5103-5001-3	Zinc plated vertical lock for rear door and tube Ø18 - garniture	1,5

---

8000 Székesfehérvár, tel./fax: 003622505725, 003622331666, E-mail: [eurowind@eurowindgroup.com](mailto:eurowind@eurowindgroup.com)