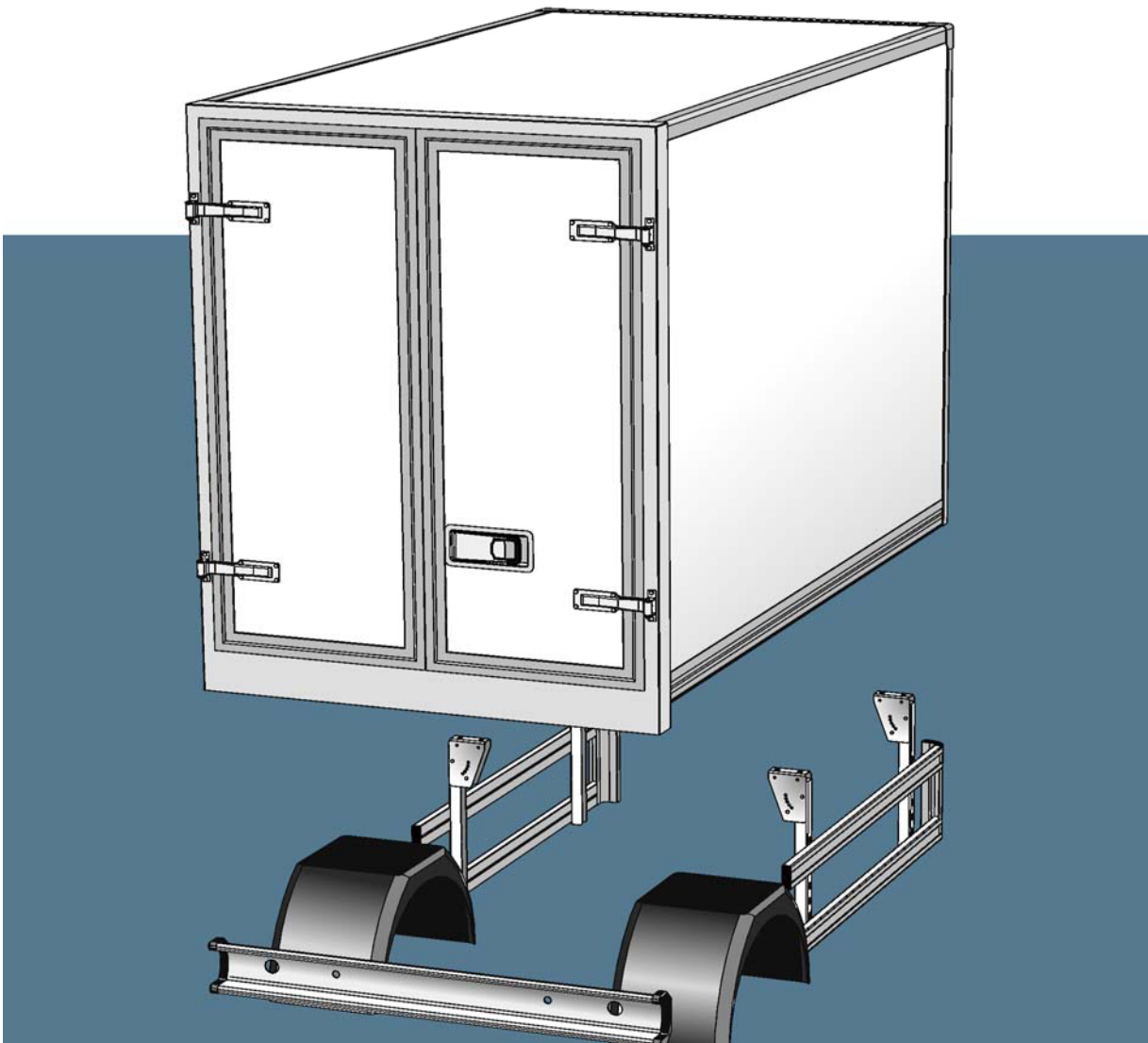
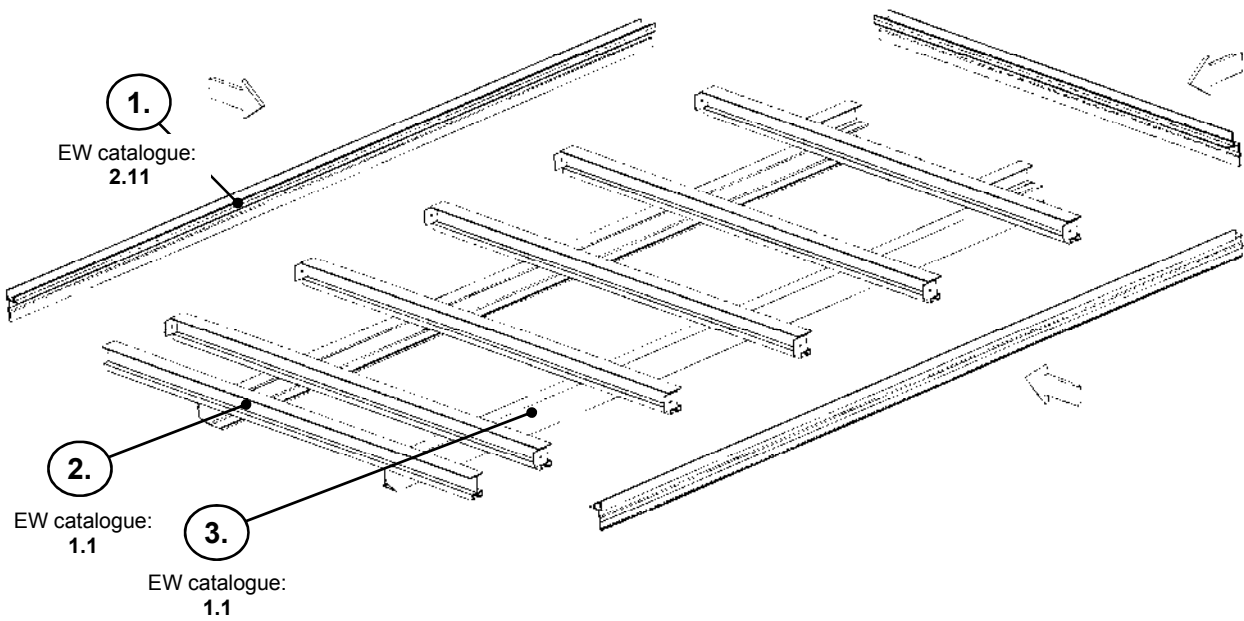




INSULATED BODY 25mm

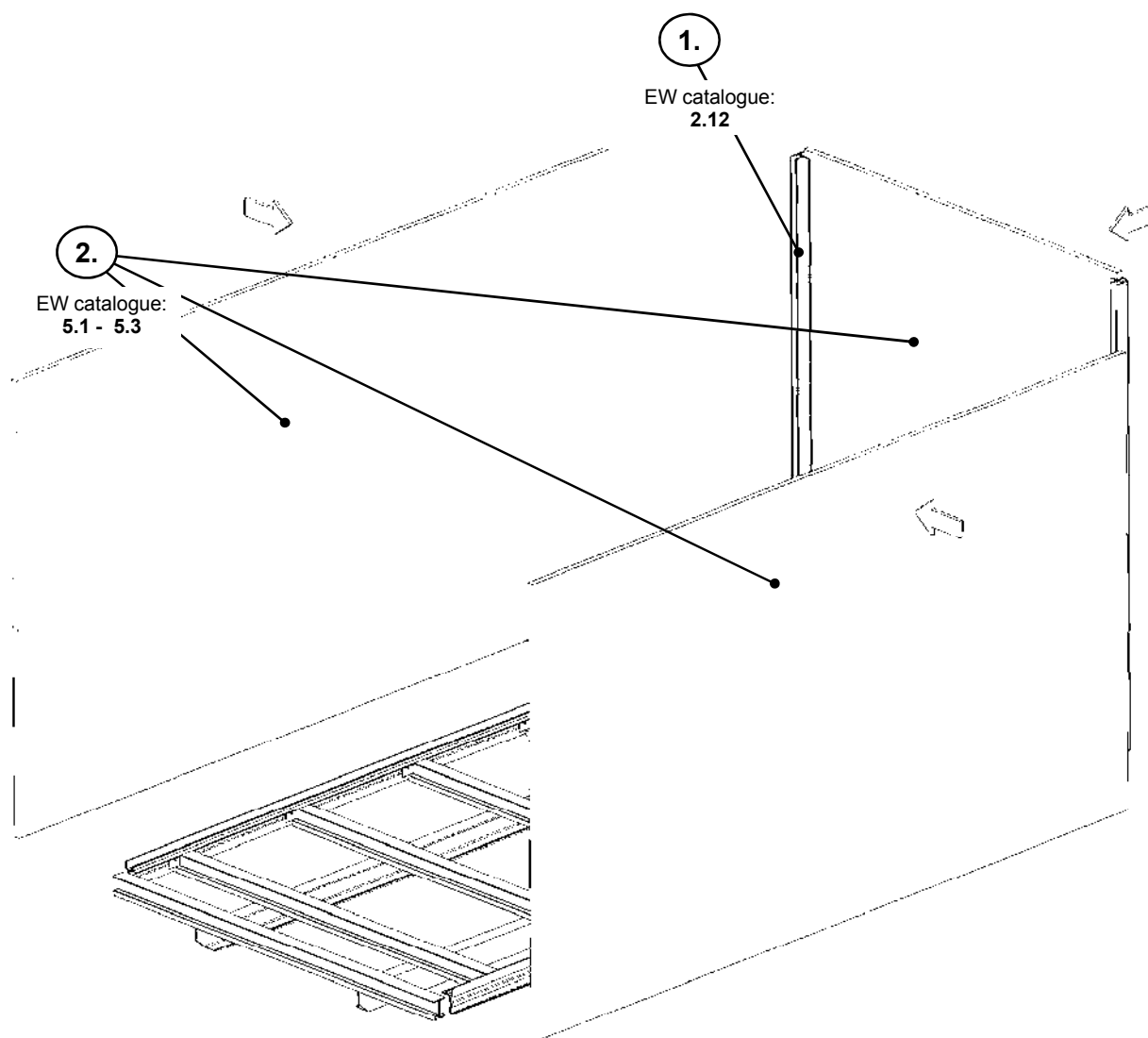


Setting frame profile on subframe



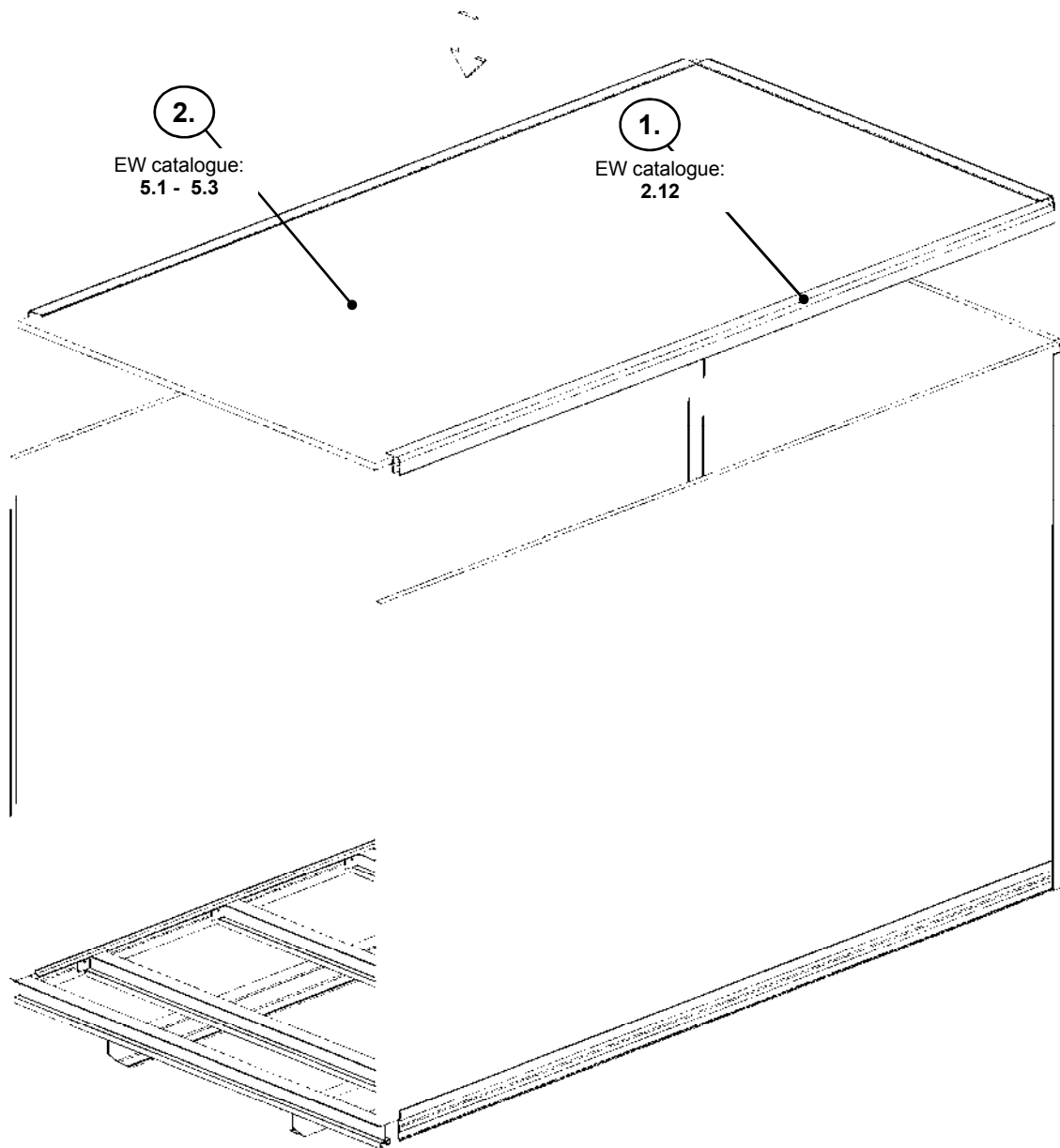
	CODE	DESCRIPTION	SURFACE	Kg/m	LENGHT - m
1.	1254-25-22	Frame profile for box	elox	1,577	7,5
2.	1202-90-11	Bearer profile 90 mm	natur	2,2	2 - 2,2 - 2,5 - 2,55
3.	1201-110-11	Runner profile	natur	3,32	5 - 6,6 - 7,5

Setting front and lateral panel on frame profile



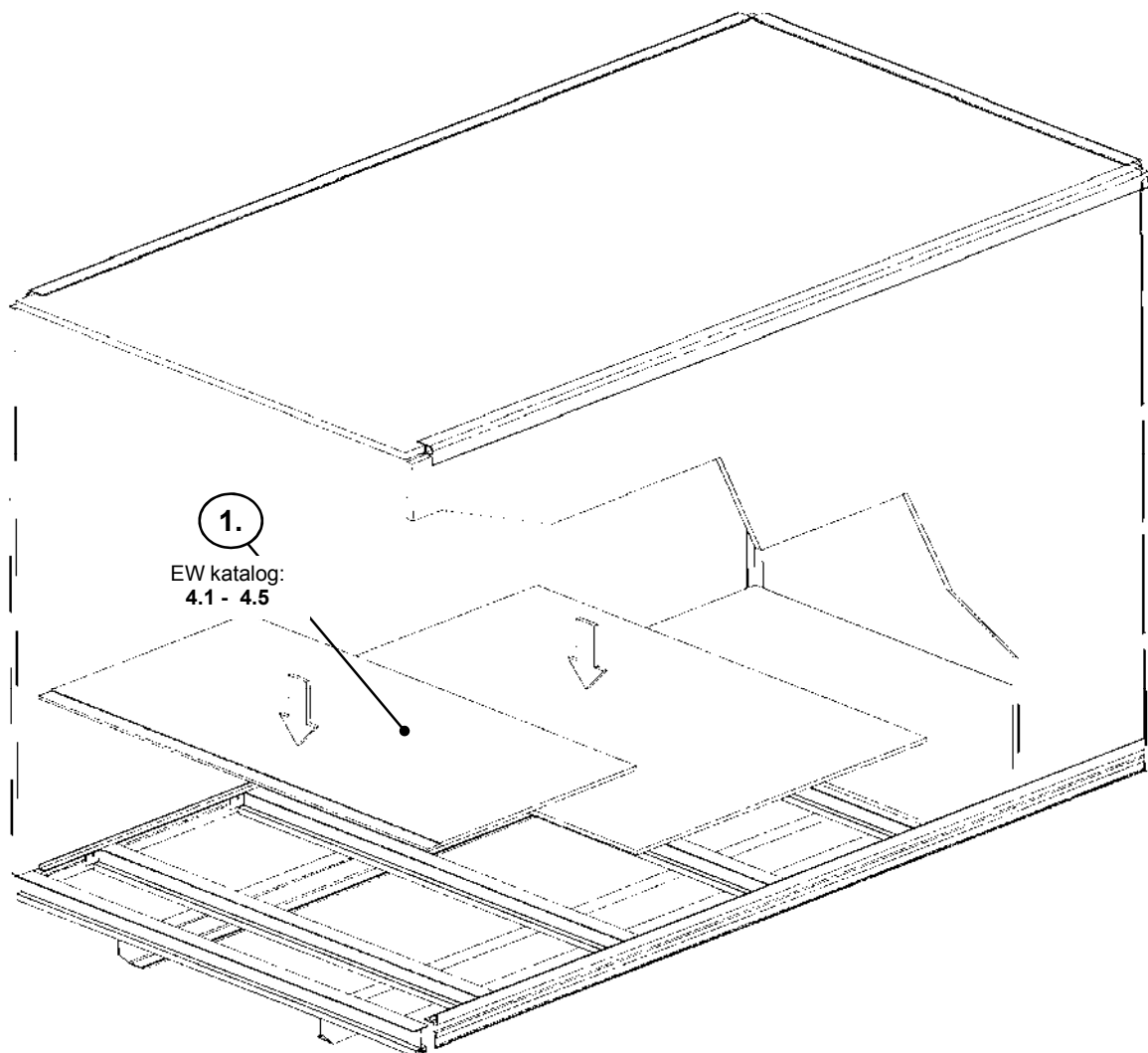
CODE	DESCRIPTION	SURFACE	Kg/m	LENGHT - m
1.	1254-25-92 Roof profile for box 25 mm	elox	1,958	7,5
2.	Thermoisolated sandwich panel - more at 5. chapter in Eurowind catalogue			

Setting roof panel on lateral sides



CODE	DESCRIPTION	SURFACE	Kg/m	LENGHT - m
1. 1254-25-92	Roof profil for box 25 mm	elox	1,958	7,5
2.	Thermoisolated sandwich panel - more at 5. chapter in Eurowind catalogue			

Setting floor on subframe

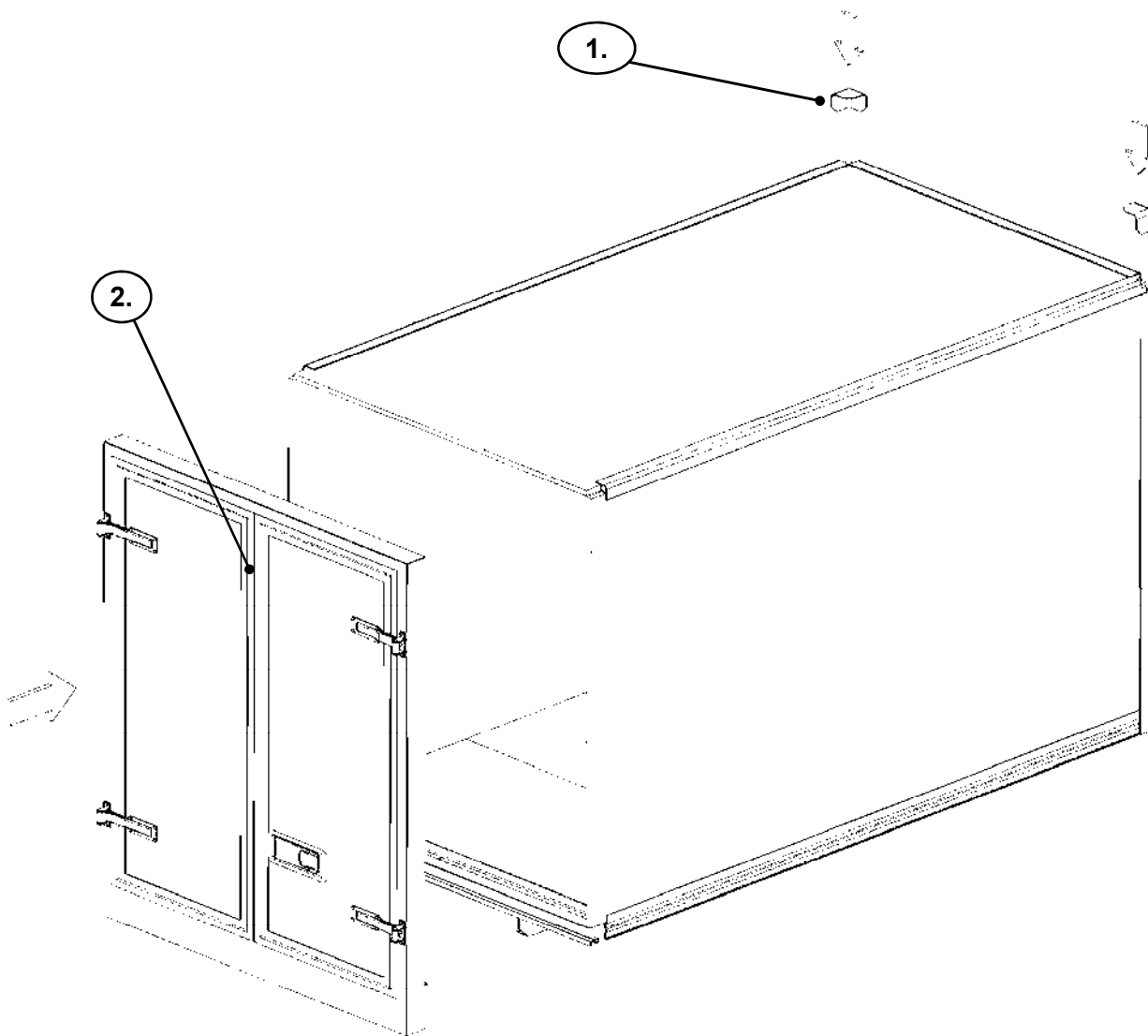


KATALOŠKI BR	NAZIV	POVRŠINA	Kg/m	DUŽINA - m
--------------	-------	----------	------	------------

1.

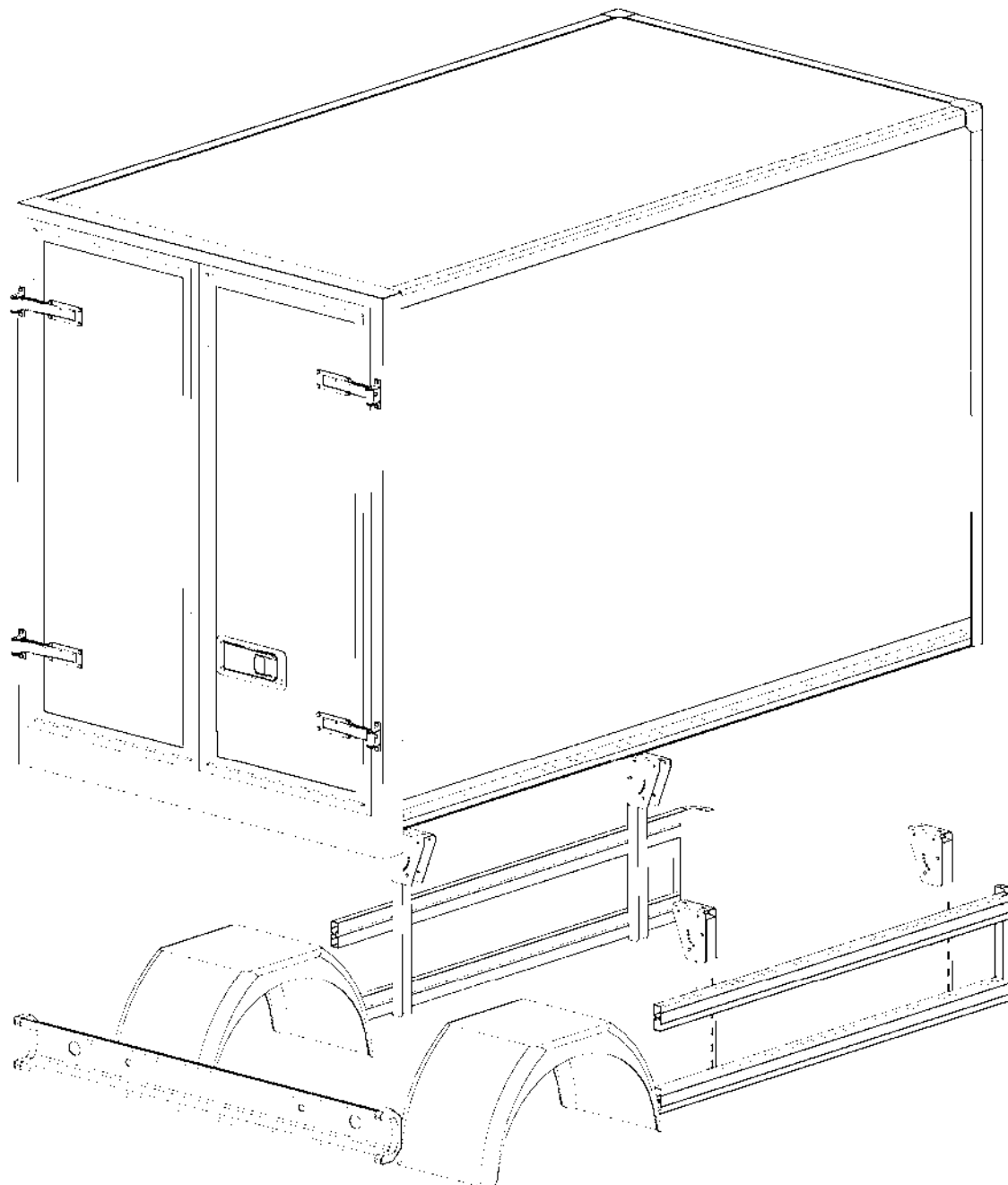
Multilaminated plywood 15,18 mm thickness - more at 4. chapter in Eurowind catalogue

Setting rear doors and corner elements



CODE	DESCRIPTION	SURFACE	WEIGHT
1.	5107-24-127 Plastic corner element	natur	0,3
2.	Rear door kit, with inox frames, locks and hinges		0,3

Option accessories



In optional accessories (lateral bumper, mud guards, tool box, ladder, footboard etc.), more at 8. chapter in Eurowind catalogue

