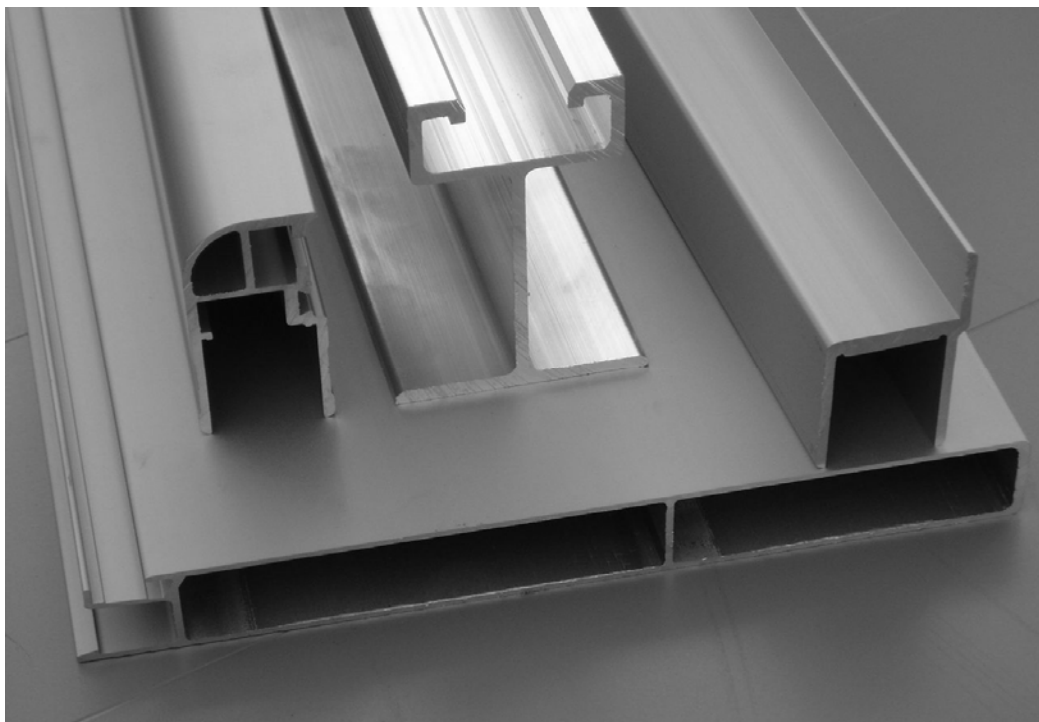
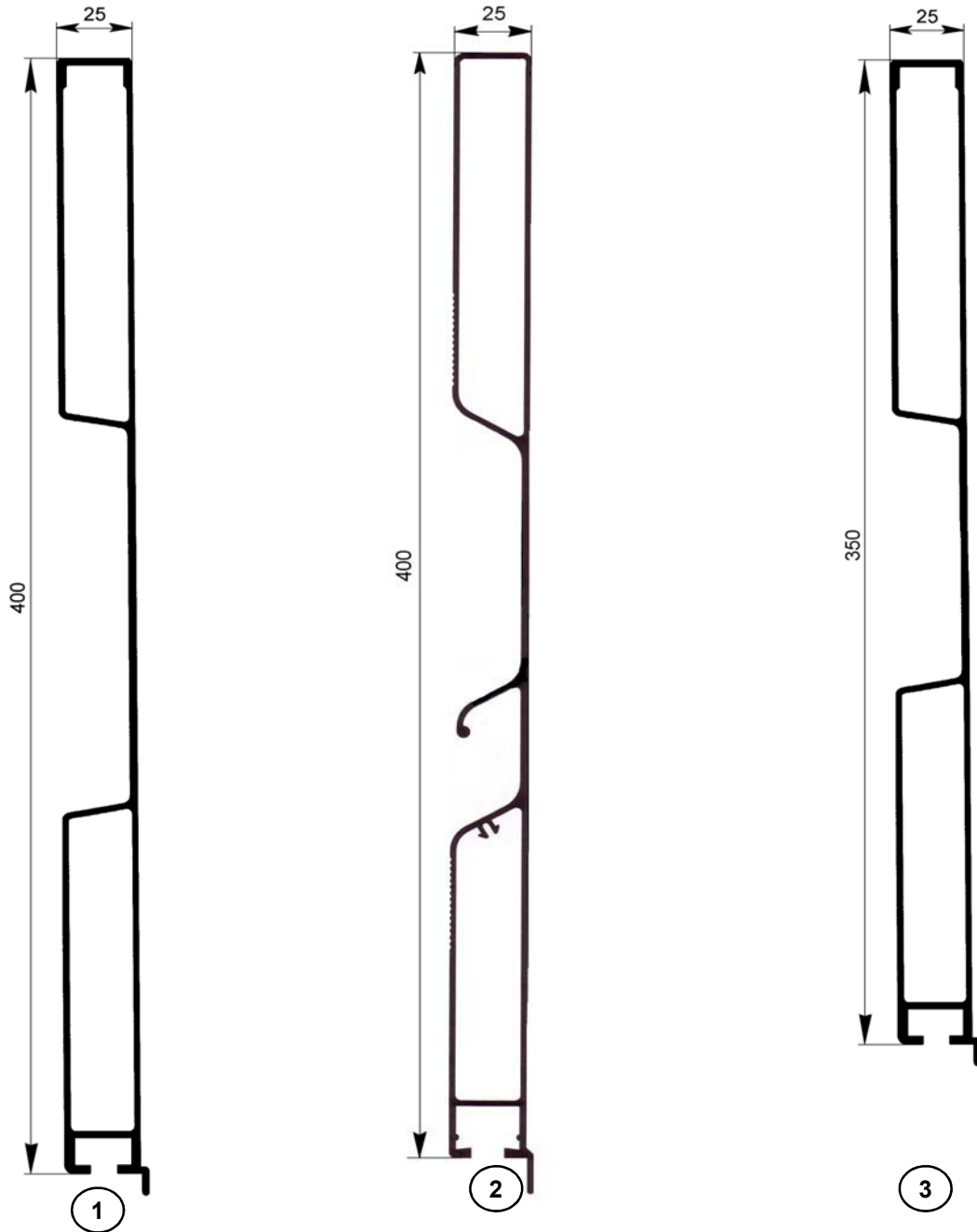


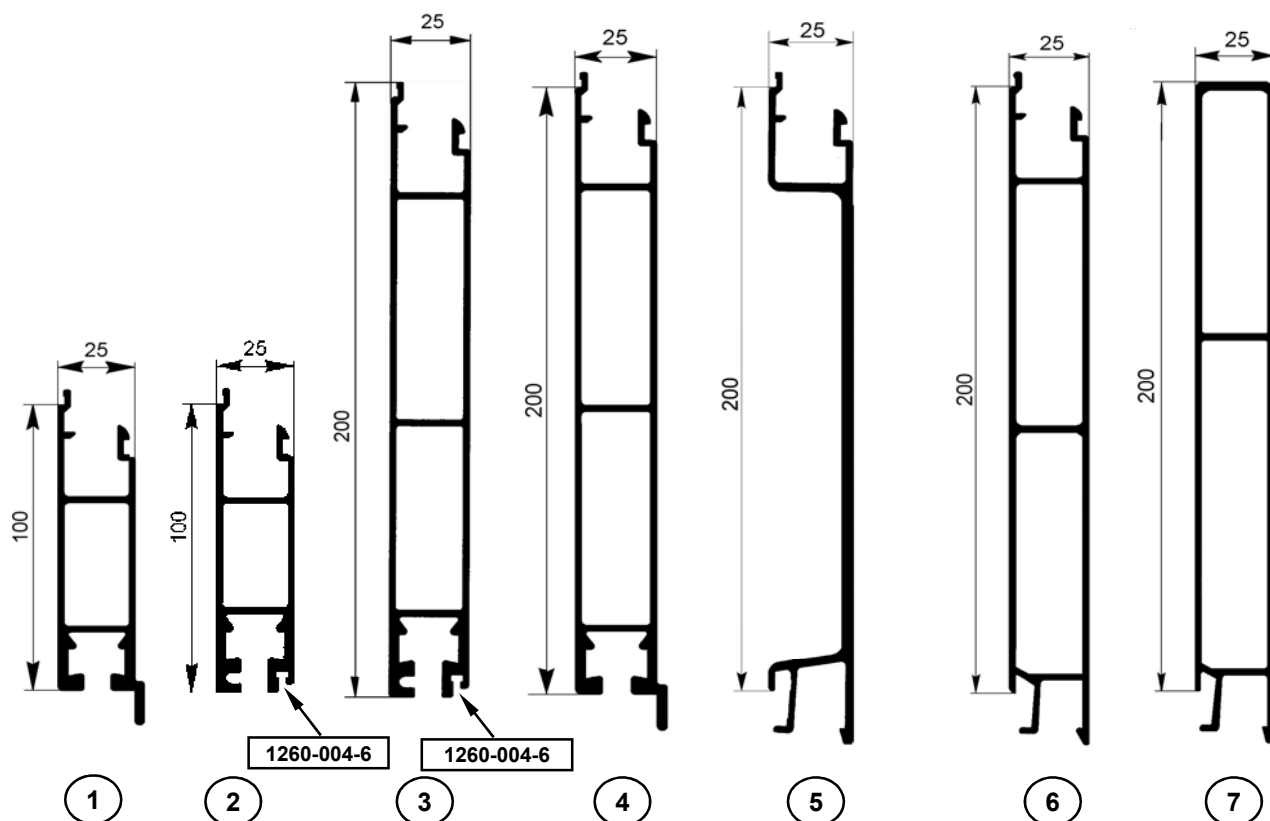
ALUMINUM PROFILES





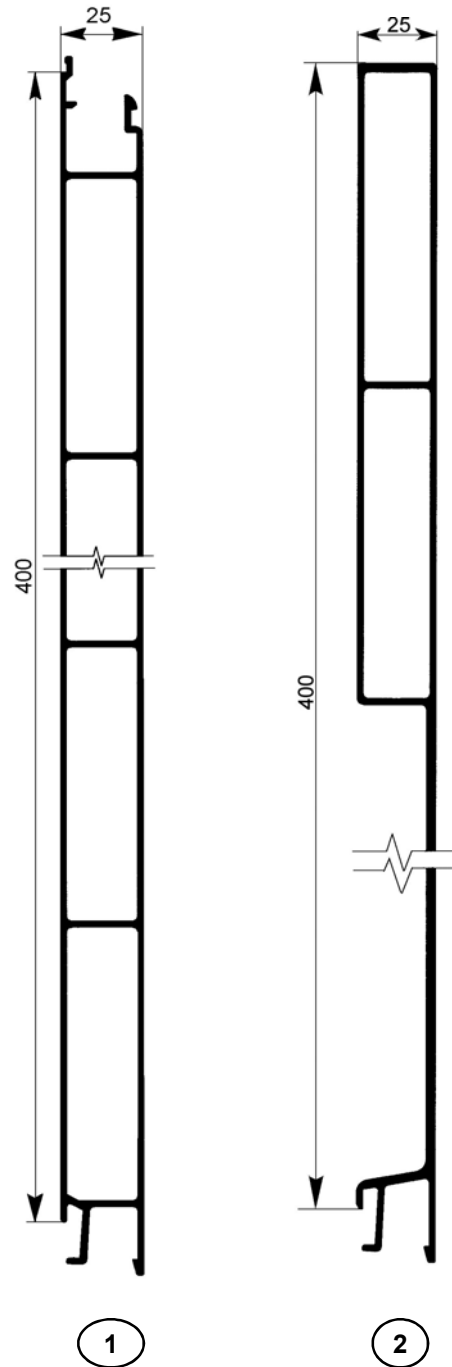
	CODE	DESCRIPTION	SURFACE	kg/m	LENGHT - m
①	1210-400-11	400 mm mono	natur	4,234	6,6 - 7,5
	1210-400-12	400 mm mono	elox	4,234	6,6 - 7,5
②	1210-400-22	400 mm mono - with hook	elox	4,04	6,6 - 7,5
③	1210-350-12	350 mm mono	elox	3,8	6,6 - 7,5

MATERIAL QUALITY: AIMgSi 0,5 F25 DIN



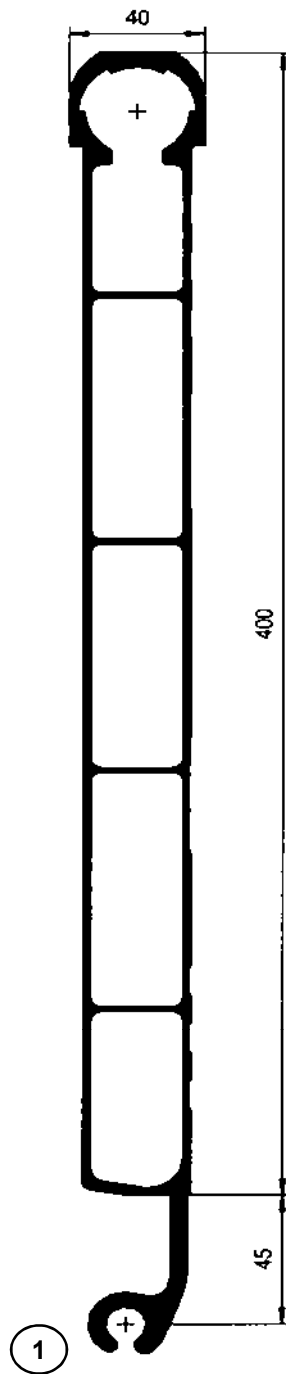
	CODE.	DESCRIPTION	SURFACE	kg/m	LENGHT - m
①	1211-100-11	100 mm lower with ledge	natur	1,669	6,6 - 7,5
	1211-100-12	100 mm lower with ledge	elox	1,669	6,6 - 7,5
②	1211-100-21	100 mm lower with rubber	natur	1,669	6,6 - 7,5
	1211-100-22	100 mm lower with rubber	elox	1,669	6,6 - 7,5
③	1211-200-51	200 mm lower with rubber	natur	2,716	6,6 - 7,5
	1211-200-52	200 mm lower with rubber	elox	2,716	6,6 - 7,5
④	1211-200-21	200 mm lower with ledge	natur	2,8	6,6 - 7,5
	1211-200-22	200 mm lower with ledge	elox	2,8	6,6 - 7,5
⑤	1211-200-31	200 mm TIR middle	natur	2,144	6,6 - 7,5
	1211-200-32	200 mm TIR middle	elox	2,144	6,6 - 7,5
⑥	1211-200-41	200 mm full middle	elox / natur	2,51	6,6 - 7,5
	1211-200-42	200 mm full middle	elox / natur	2,51	6,6 - 7,5
⑦	1211-200-61	200 mm top	elox / natur	2,503	6,6 - 7,5
	1211-200-62	200 mm top	elox / natur	2,503	6,6 - 7,5

MATERIAL QUALITY: AIMaSi 0.5 F25DIN



	CODE.	DESCRIPTION	SURFACE	kg/m	LENGHT - m
1	1211-400-71	400 mm full middle	natur	4,667	6,6 - 7,5
	1211-400-72	400 mm full middle	elox	4,667	6,6 - 7,5
2	1211-400-81	400 mm TIR top	natur	4,2	6,6 - 7,5
	1211-400-82	400 mm TIR top	elox	4,2	6,6 - 7,5

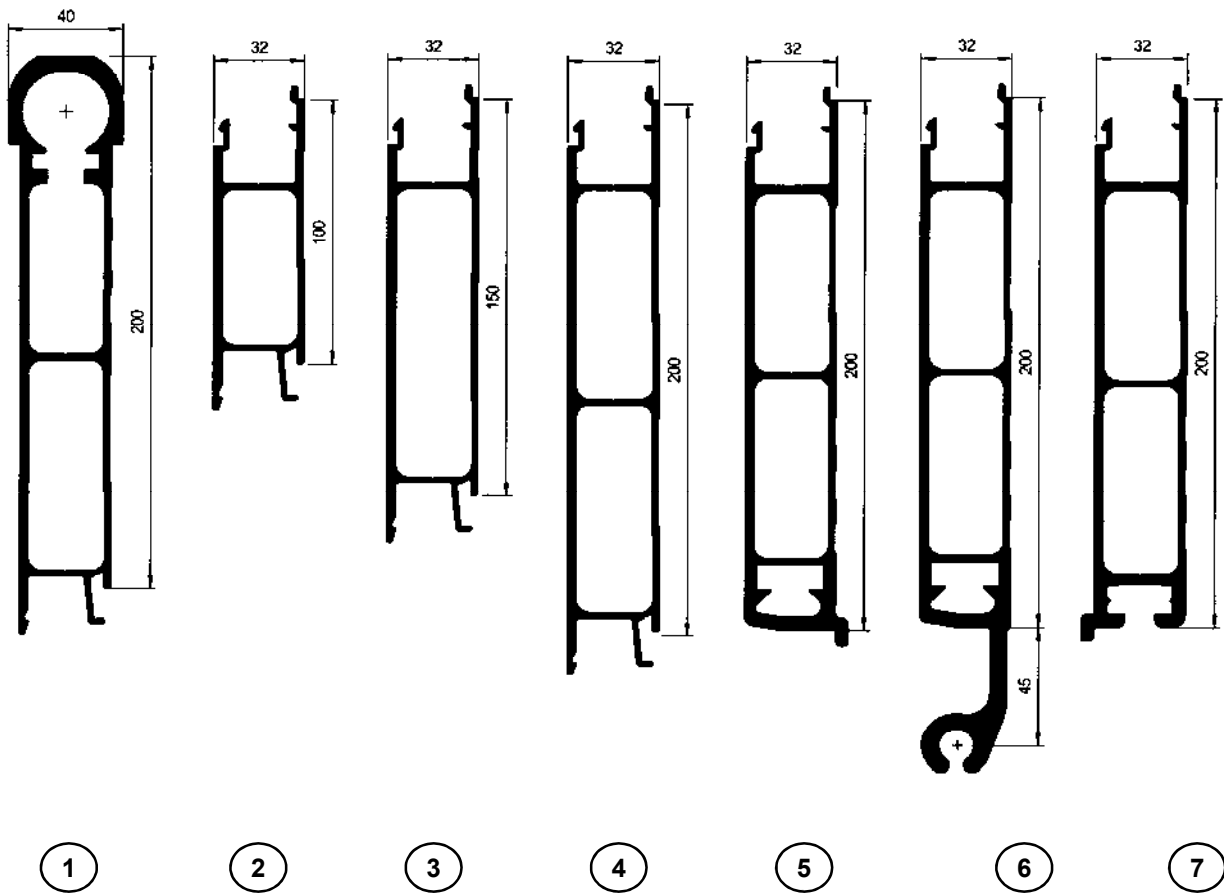
MATERIAL QUALITY: AIM_αSi 0.5 F25DIN



CODE	DESCRIPTION	SURFACE	kg/m	LENGHT - m
------	-------------	---------	------	------------

1	1219-400-92	400mm mono profiles with top and lower pivot	elox	7,92	6,6
---	-------------	--	------	------	-----

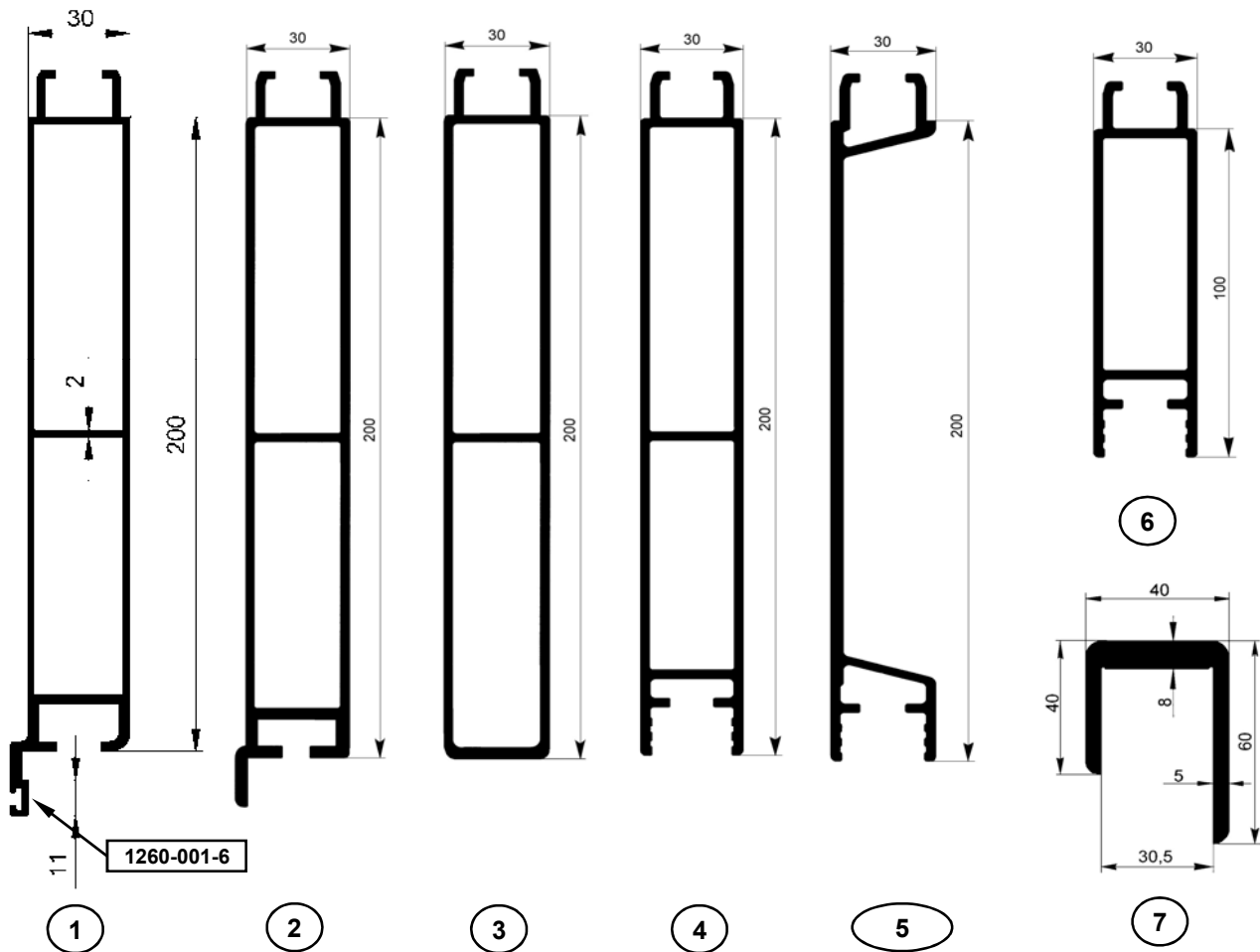
MATERIAL: AlMg0,7Si				
---------------------	--	--	--	--



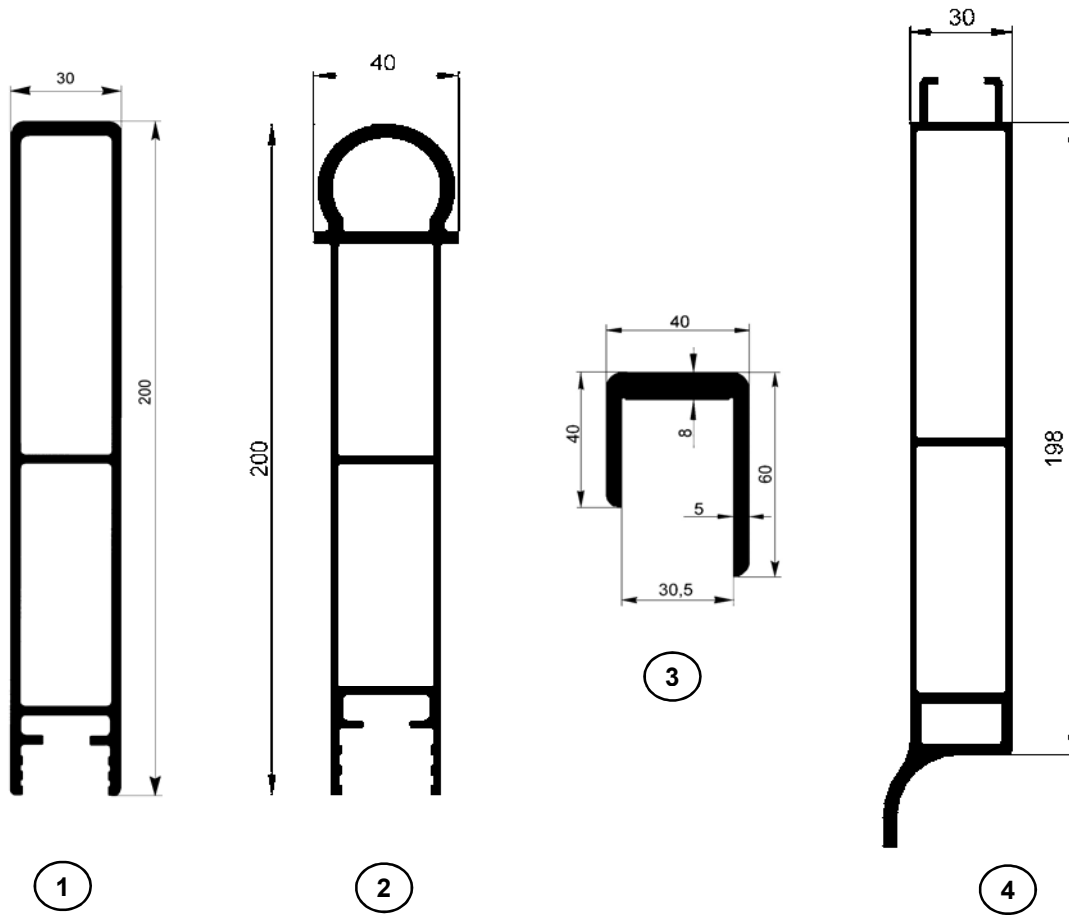
Note: only by request

	CODE.	DESCRIPTION	SURFACE	kg/m	LENGHT - m
①	1219-200-12	200 mm top with pivot	elox	4,7	6,6 - 7,5
②	1219-100-42	100 mm full middle	elox	2	6,6 - 7,5
③	1219-150-62	150 mm full middle	elox	2,7	6,6 - 7,5
④	1219-200-22	200 mm full middle	elox	3,5	6,6 - 7,5
⑤	1219-200-72	200 mm lower with nib inside ledge	elox	4,2	6,6 - 7,5
⑥	1219-200-32	200 mm lower with pivot	elox	5,6	6,6 - 7,5
⑦	1219-200-52	200 mm lower with nib	elox	4,05	6,6 - 7,5

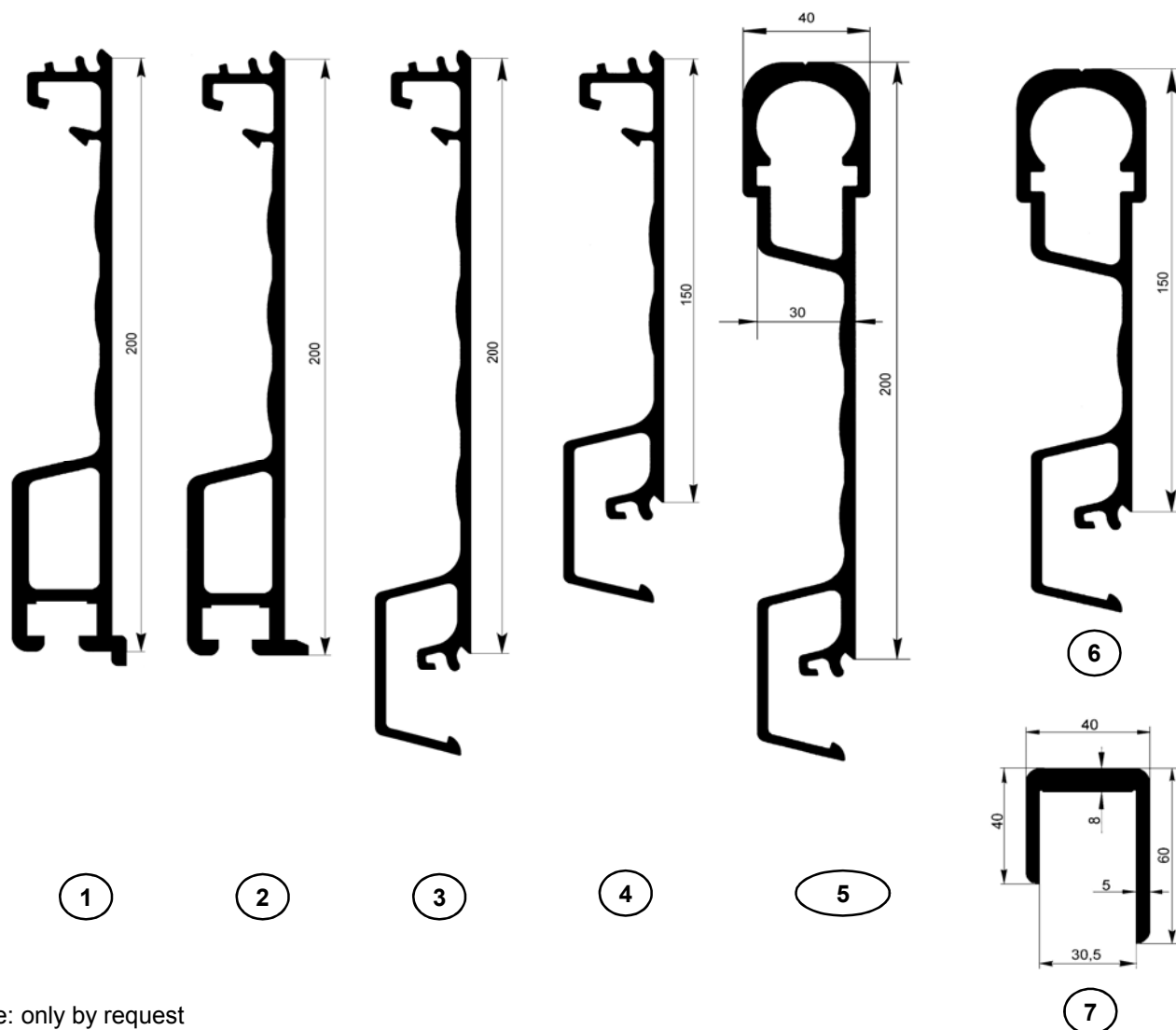
MATERIAL AND COATINGS



	CODE.	DESCRIPTION	SURFACE	kg/m	LENGHT - m
1	1214-200-71	200 mm lower with rubber	natur	3,175	6,6 - 7,5
	1214-200-72	200 mm lower with rubber	elox	3,175	6,6 - 7,5
2	1214-200-11	200 mm lower with ledge	natur	2,962	6,6 - 7,5
	1214-200-12	201 mm lower with ledge	elox	2,962	6,6 - 7,5
3	1214-200-21	200mm lower without ledge	natur	2,927	6,6 - 7,5
	1214-200-22	200mm lower without ledge	elox	2,927	6,6 - 7,5
4	1214-200-31	200 mm middle full	natur	2,694	6,6 - 7,5
	1214-200-32	200 mm middle full	elox	2,694	6,6 - 7,5
5	1214-200-41	200 mm TIR middle	natur	2,295	6,6 - 7,5
	1214-200-42	200 mm TIR middle	elox	2,295	6,6 - 7,5
6	1214-200-51	100 mm middle	natur	1,669	6,6 - 7,5
	1214-200-52	100 mm middle	elox	1,669	6,6 - 7,5
7	1251-30-12	30 mm lining	elox	1,817	6

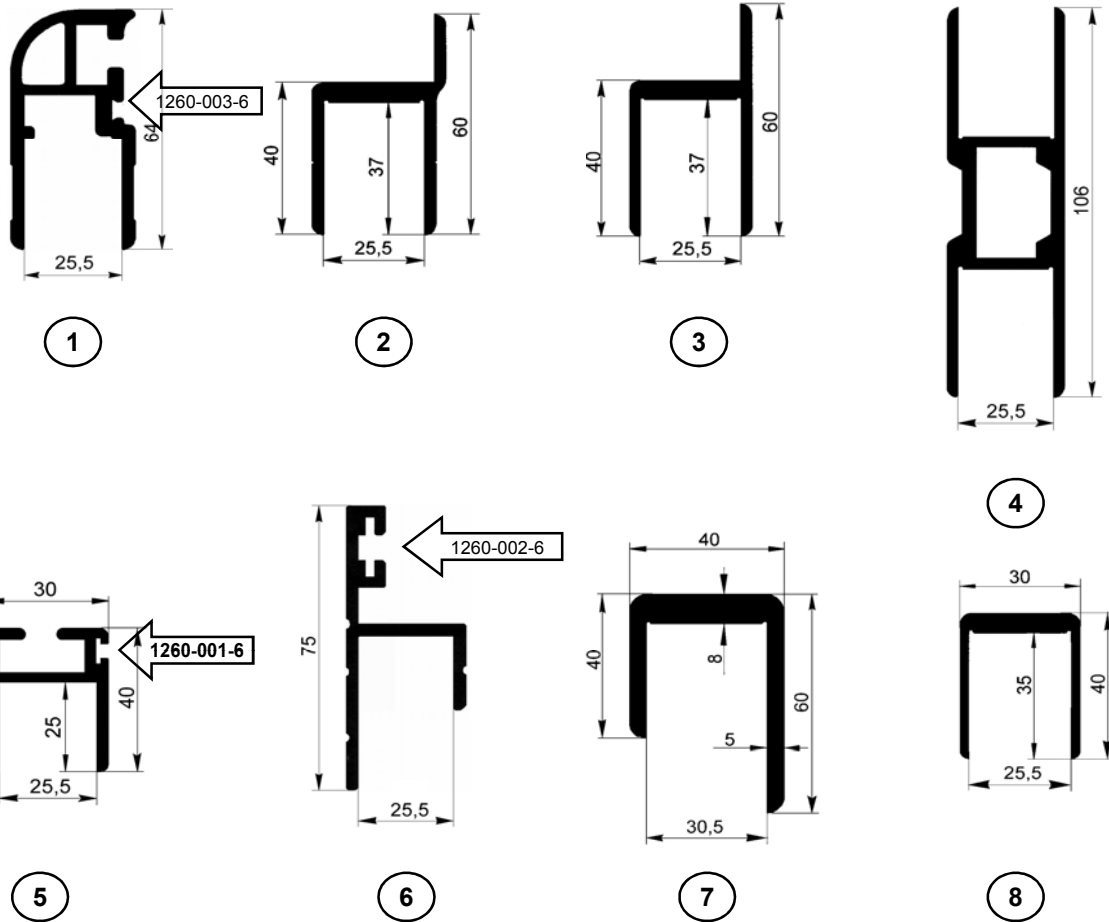


	CODE.	DESCRIPTION	SURFACE	kg/m	LENGHT - m
1	1214-200-61	200 mm top	natur	2,59	6,6 - 7,5
	1214-200-62	200 mm top	elox	2,59	6,6 - 7,5
2	1214-200-81	200 mm top with pivot	natur	3,37	6,6 - 7,5
	1214-200-82	200 mm top with pivot	elox	3,37	6,6 - 7,5
3	1251-30-12	30 mm ledge profile	elox	1,817	6
4	1214-200-91	200mm lower for advanc.	natur	3,47	6,6 - 7,5
	1214-200-92	200mm lower for advanc.	elox	3,47	6,6 - 7,5



Note: only by request

	CODE.	DESCRIPTION	SURFACE	kg/m	LENGHT - m
1	1215-200-12	200 mm lower with ledge	elox	3,985	7,5
2	1215-200-22	200 mm lower without ledge	elox	3,97	6 - 7,5
3	1215-200-42	200 mm middle	elox	3,34	6 - 7,5
4	1215-150-12	150 mm middle	elox	2,794	7,5
5	1215-200-52	200 mm top	elox	4,7	6 - 7,5
6	1215-150-22	150 mm top	elox	3,966	7,5
7	1251-30-12	30 mm ledge profile	elox	1,817	6
MATERIAL QUALITY: AIMgSi 0,5 F25 DIN					

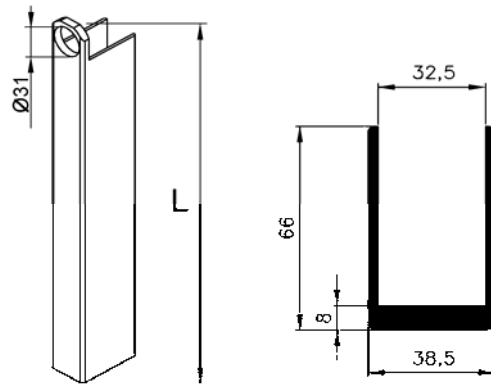


CODE.	DESCRIPTION	SURFACE	kg/m	LENGHT - m
1	1251-25-82 25mm rear arch ledge	elox	1,21	6
2	1251-25-32 25mm swelling ledge	elox	0,918	6
3	1251-25-42 25mm flat ledge	elox	1,009	6
4	1251-25-52 25mm expanded ledge	elox	2,109	6
5	1251-25-62 25mm with rubber	elox	0,823	6
6	1251-25-72 25 mm with rubber "h"	elox	1,12	7,5
7	1251-30-12 30 mm	elox	1,817	6
8	1251-25-22 25 mm	elox	0,756	6

MATERIAL QUALITY: AIMaSi 0.5 F25DIN

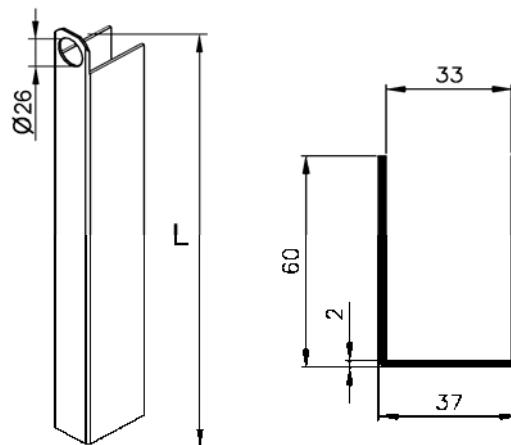
2.7.1

LEDGE PROFILES FOR "HERCULES 32" SYSTEM



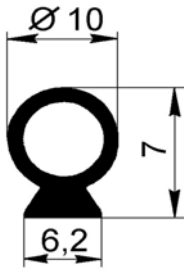
Note: only by request

CODE.	DESCRIPTION	SURFACE	LENGHT - mm
143204-12	Aluminum ledge, left - right	elox	400
143205-12	Aluminum ledge, left - right	elox	500
143206-12	Aluminum ledge, left - right	elox	600
143207-12	Aluminum ledge, left - right	elox	800
1251-32-12	Aluminum ledge	elox	6000



Note: only by request

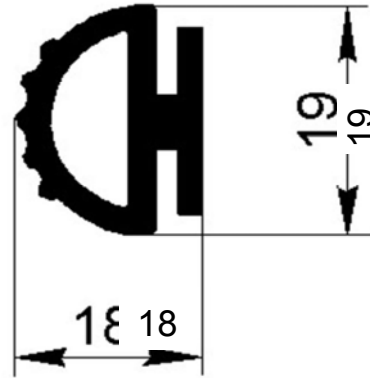
CODE.	DESCRIPTION	SURFACE	LENGHT - mm
143204-14	Inox ledge , left - right	inox	400
143205-14	Inox ledge , left - right	inox	500
143206-14	Inox ledge , left - right	inox	600
143207-14	Inox ledge , left - right	inox	800
143208-14	Inox ledae . left - riaht	inox	1000



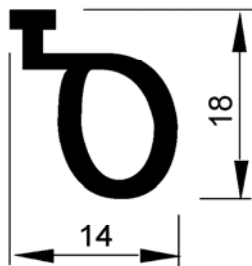
1



2

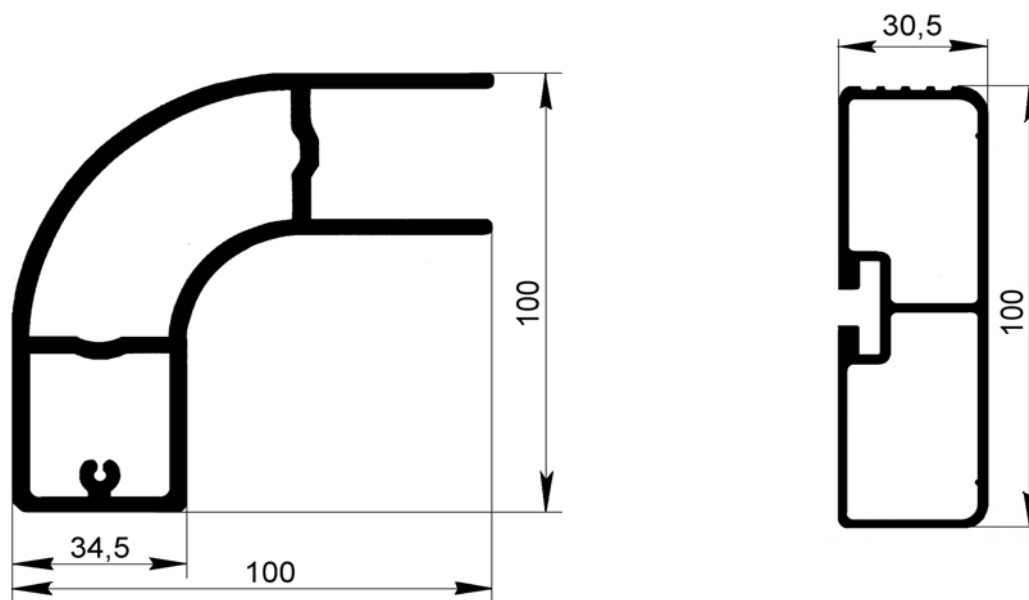


3



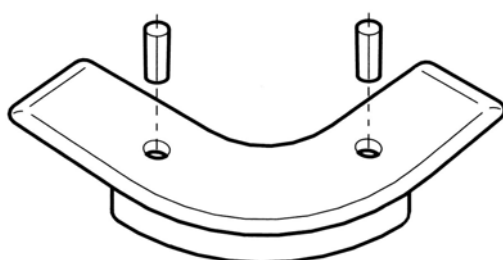
4

CODE.	DESCRIPTION	kg/m	LENGHT - m
1	1260-003-6 Curtain rubber for 1251-25-82 profile	0,05	on request
2	1260-001-6 Curtain rubber for 1251-25-62 profile	0,08	on request
3	1260-002-6 Curtain rubber for 1251-25-72 profile	0,18	on request
4	1260-004-6 Curtain rubber for V1541750 profile	0,11	on request



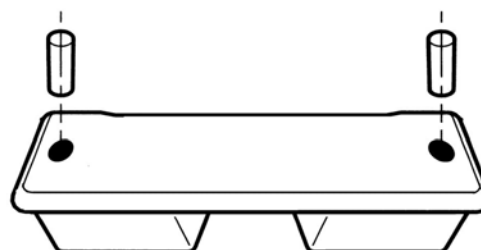
①

②



1253-006-7

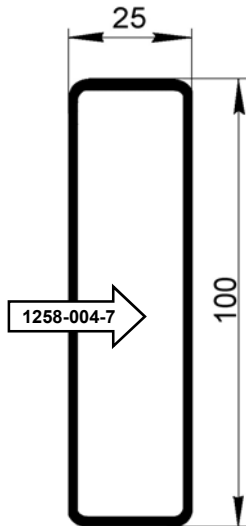
③



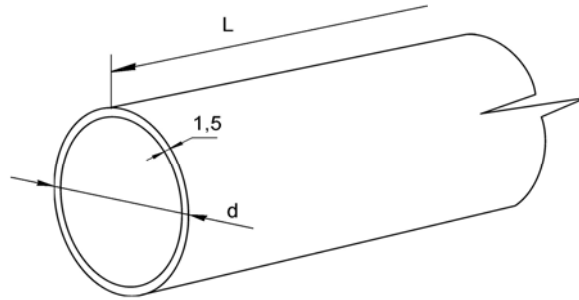
1258-005-7

④

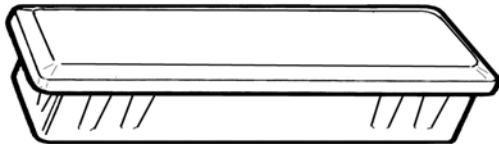
	CODE.	DESCRIPTION	SURFACE	kg/m	LENGHT - m
①	1253-1010-22	Corner Aluminum kit	elox	2,19	5
②	1253-100-12	Lateral profile	elox	1,485	6,8 - 7,5
③	1253-006-7	Arch plug for V9183 profile - black PVC			0,09
④	1258-005-7	Plug for V1549133 profile - black PVC			0,05



1

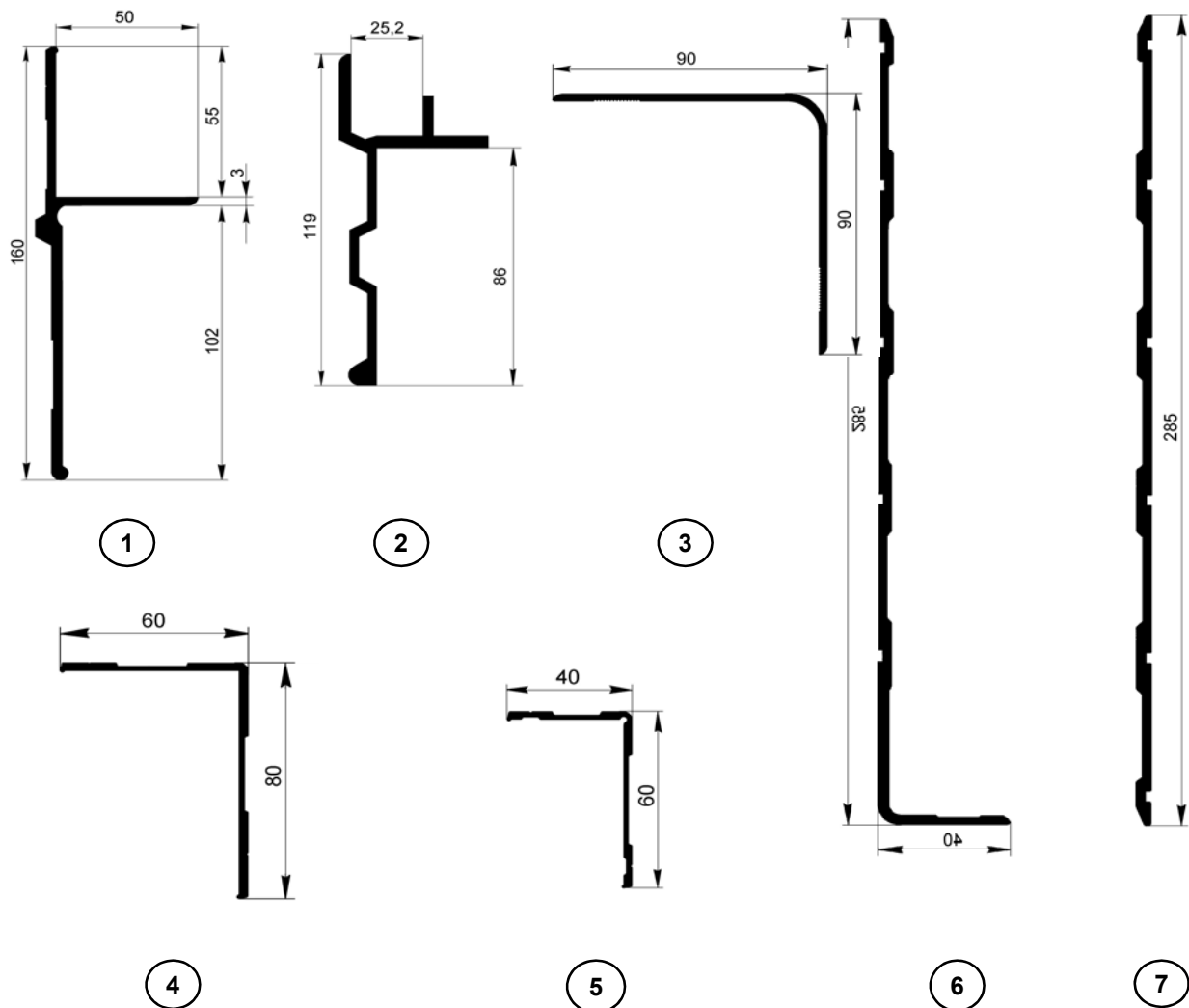


2

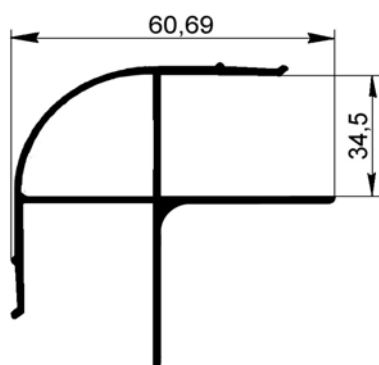


3

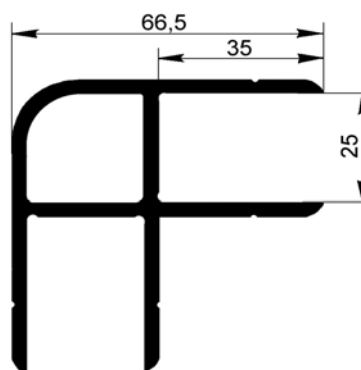
	CODE.	DESCRIPTION	SURFACE	kg/m	LENGHT - m
1	1258-003-1	Rectangular profile	elox/natur	1,016	6,6 - 7,5
2	1258-002-1	Aluminum tube d=50	natur	0,62	5 - 6,6 - 7,5
	1258-001-1	Aluminum tube d=60	natur	0,74	6,6 - 7,5
3	1258-004-7	Plug for 1258-003-1 profile - black PVC			0,05



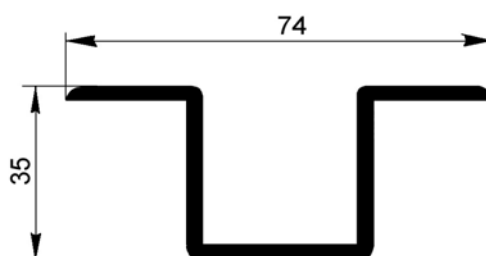
	CODE.	DESCRIPTION	SURFACE	kg/m	LENGHT - m
1	1254-160-12	Frame profiles for chamber	elox	1,812	5,0 - 6,6 - 7,5
2	1254-25-22	Fr. prof for chamber 25 mm	elox	1,577	7,5
3	1254-9090-32	Angular profile 90x90 mm	elox	1,115	6,6 - 7,5
4	1254-6080-42	"L" profile 80x60 mm	elox	0,988	7,5
5	1254-6040-52	"L" profile 60x40 mm	elox	0,645	7,5
6	1254-285-71	Inside prot."L"profile 285mm	natur	2,44	7,5
	1254-285-72	Inside prot."L"profile 285mm	elox	2,44	7,5
7	1254-285-62	Inside prot."I"profile 285mm	elox	2,18	7,5



①

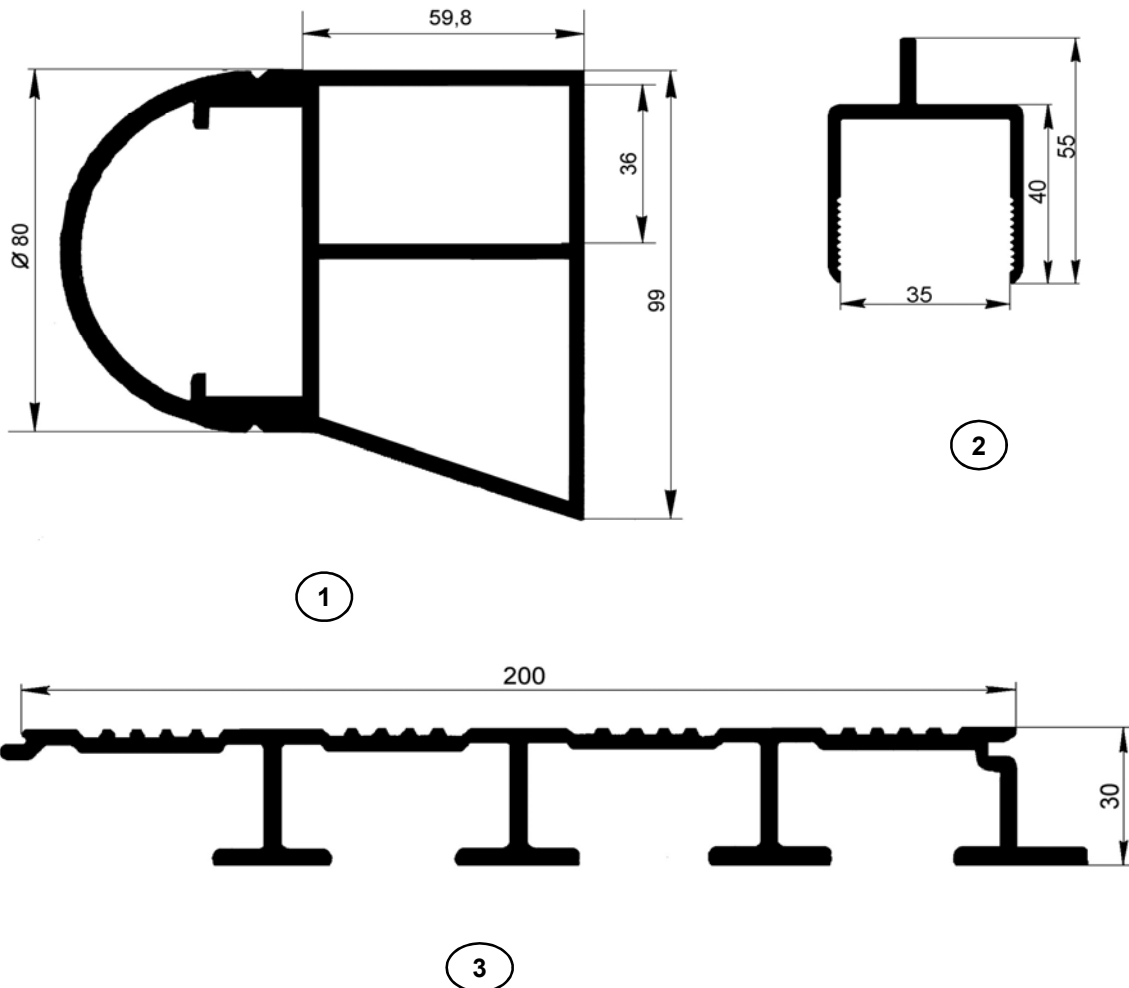


②



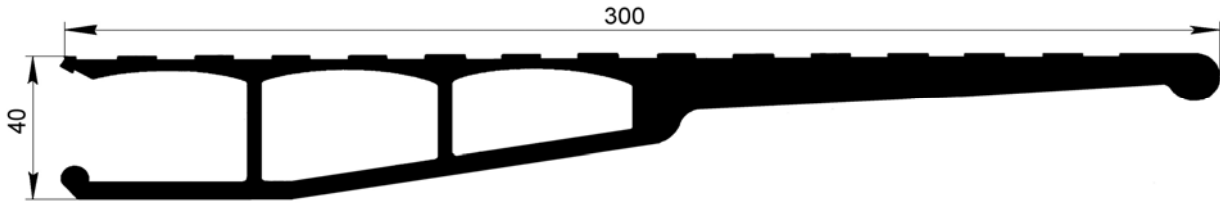
③

	CODE.	DESCRIPTION	SURFACE	kg/m	LENGHT - m
①	1254-35-82	roof profile 35 mm	elox	1,316	7,5
②	1254-25-92	roof profile 25 mm	elox	1,958	7,5
③	1254-35-111	Profile	natur	0,872	7,5

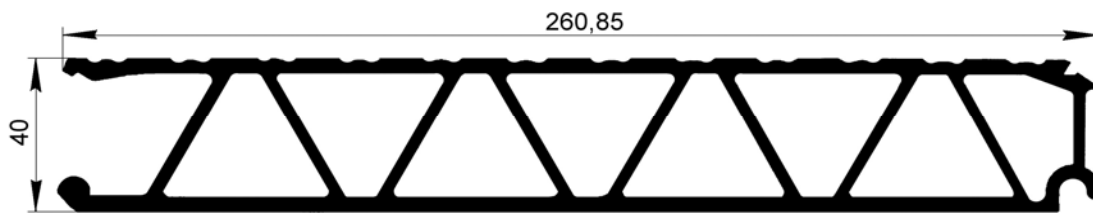


	CODE.	DESCRIPTION	SURFACE	kg/m	LENGHT - m
1	1255-100-12	Profile	elox	7	5
2	1255-002-1	"Y" ledge	natur	2,38	6
	1255-002-2	"Y" ledge	elox	2,38	6
3	1257-001-1	Floor profile 200 X 30	natur	2,86	7,5

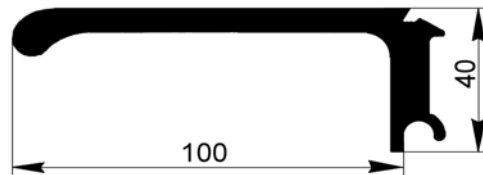
MATERIAL QUALITY: AlMnSi 0.5 F22



1

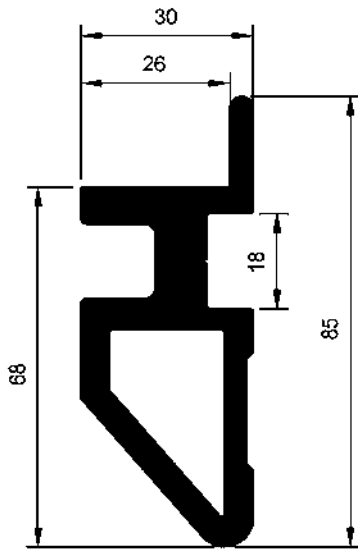


2

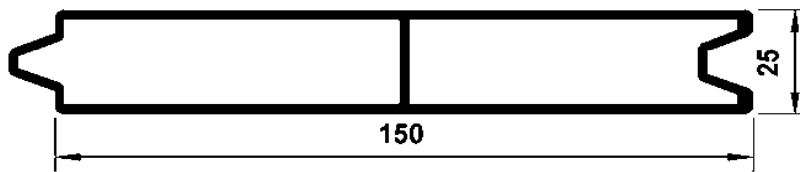


3

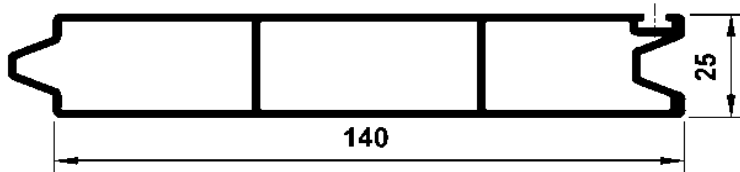
CODE.	DESCRIPTION	SURFACE	kg/m	LENGHT - m
1	1256-300-11 End profile for tail lift	natur	8,79	5
2	1256-260-21 Middle profile for tail lift	natur	6,42	5
3	1256-100-31 Lower profile for tail lift	natur	2,87	5



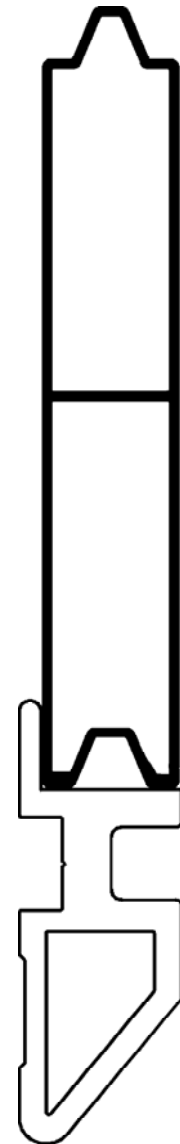
①



②



③



	CODE.	DESCRIPTION	SURFACE	kg/m	LENGHT - m
①	1258-005-1	Lateral profile support	natur	2,6	6,6
②	1258-007-1	Lateral profile - middle	natur	1,86	6,6
③	1258-006-1	Lateral - lower with rubber	natur	1,72	6,6