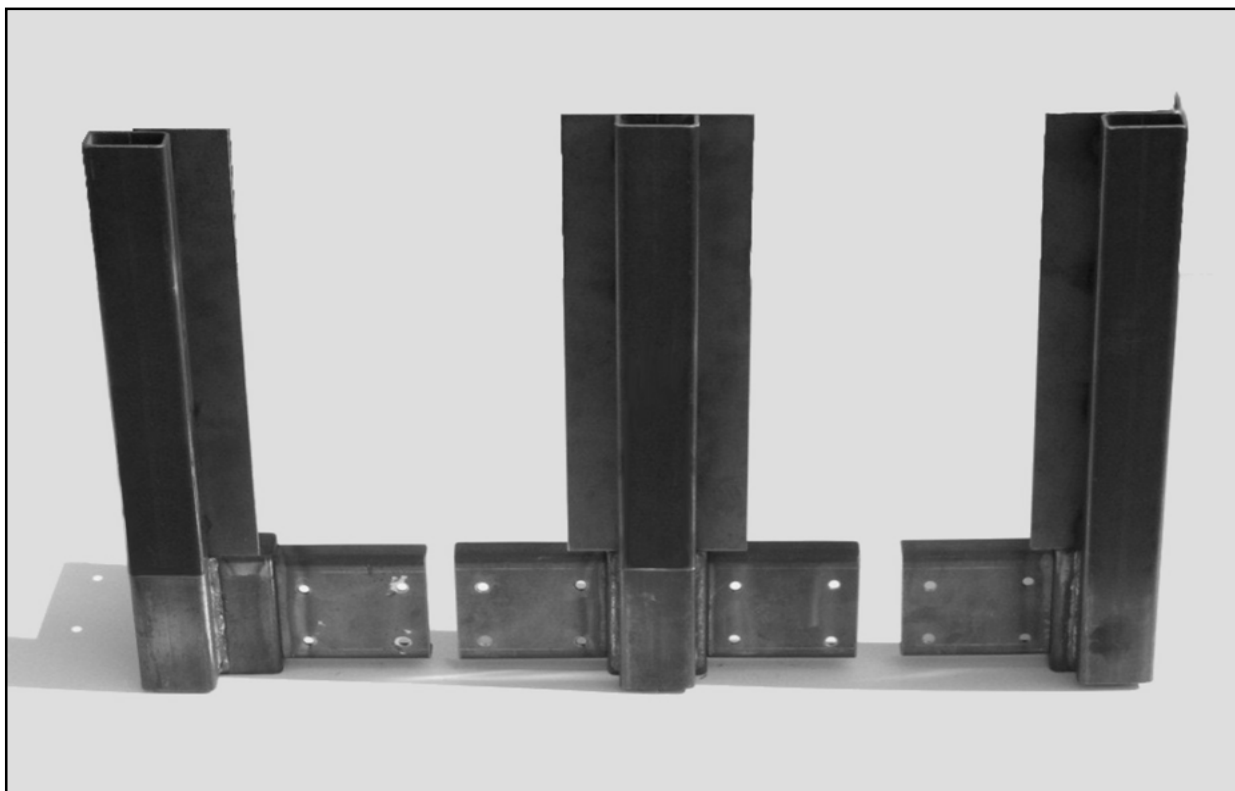




**PLATFORM BODY PARTS:
PILLARS, SIDE BOARD HEADS, LOCKS,
TIR HINGES**









PAGE 6.5 - 6.5.1 6.6 - 6.6.1

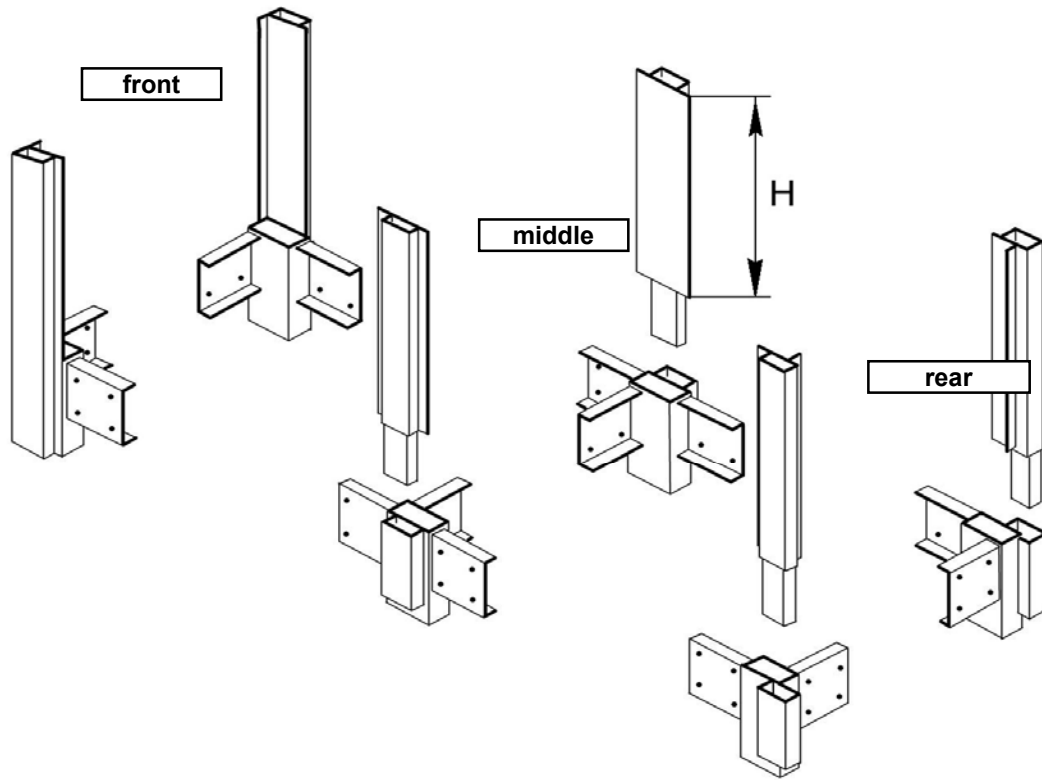




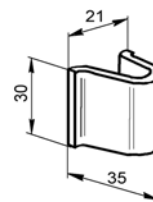
**PAGE 6.8 - 6.8.1 , 6.9 - 6.9.1
6.10 - 6.10.1 , 6.11 - 6.11.1**





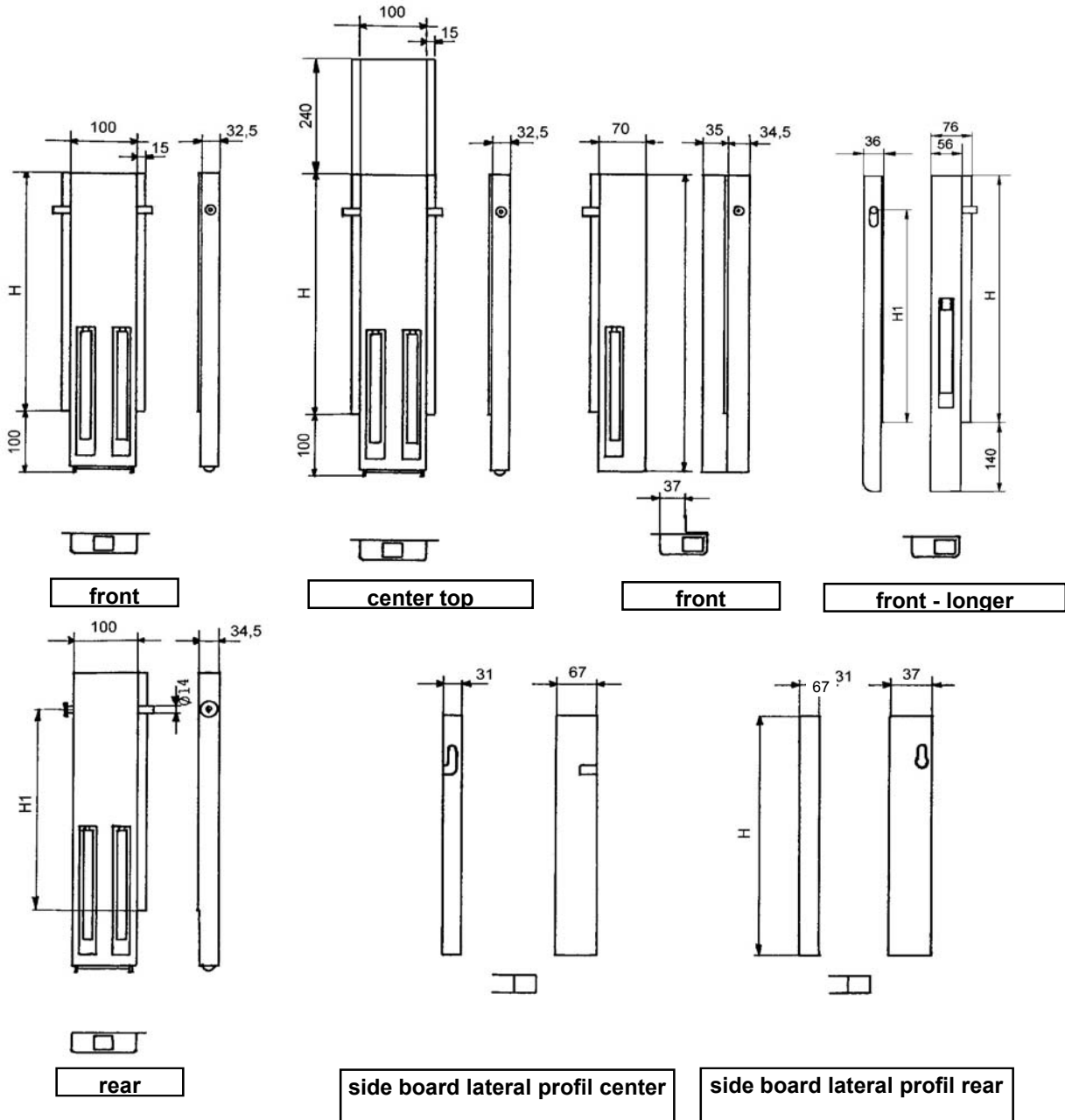


1435150100-3



1435150200-8

CODE	DESCRIPTION	SURFACE	HEIGHT H	WEIGHT
14N400-FDX01	simple pillars 400 front right	raw	400	4,68
14N400-FSX01	simple pillars 400 front left	raw	400	4,68
14N400-CSX01	simple pillars 400 center left	raw	400	5,5
14N400-CDX01	simple pillars 400 center right	raw	400	5,5
14N400-RDXT1	simple pillars 400 rear right	raw	400	4,96
14N400-RSXT1	simple pillars 400 rear left	raw	400	4,96
14N500-FDX01	simple pillars 500 front right	raw	500	5,2
14N500-FSX01	simple pillars 500 front left	raw	500	5,2
14N500-CDX01	simple pillars 500 center right	raw	500	6,05
14N500-CSX01	simple pillars 500 center left	raw	500	6,05
14N500-RDX01	simple pillars 500 rear right	raw	500	5,45
14N500-RSX01	simple pillars 500 rear left	raw	500	5,45
14N600-FDX01	simple pillars 600 front right	raw	600	5,2
14N600-FSX01	simple pillars 600 front left	raw	600	5,2
14N600-CSX01	simple pillars 600 center left	raw	600	6,05
14N600-CDX01	simple pillars 600 center right	raw	600	6,05
14N600-RDX01	simple pillars 600 rear right	raw	600	5,45
14N600-RSX01	simple pillars 600 rear left	raw	600	5,45
1435150100-3	side board head support	zinc		0,05
1435150200-8	steel side board head support	raw		0,04



CODE	DESCRIPTION	SURFACE	H	H1	WEIGHT
142500-FDX05	front right	protected surf.	400	337	
142501-FSX05	front left	protected surf.	400	337	
142504-C05	center	protected surf.	400	337	
142507-C05	center - top	protected surf.	400	337	
142505-RDX05	rear right	protected surf.	400	337	
142506-RSX05	rear left	protected surf.	400	337	

142510-FDX05	front right	protected surf.	500	437	
142511-FSX05	front left	protected surf.	500	437	
144000-FDX05	front right- longer	protected surf.	500	140/434	4,6
144001-FSX05	front left- longer	protected surf.	500	140/434	4,6
142514-C05	center	protected surf.	500	437	
145007-C05	center - top	protected surf.	500	437	
142515-RDX05	rear right	protected surf.	500	437	
142516-RSX05	rear left	protected surf.	500	437	

142520-FDX05	front right	protected surf.	600	487	
142521-FSX05	front left	protected surf.	600	487	
14410-03	front right- longer	protected surf.	600	140/484	5,1
14411R-03	front left- longer	protected surf.	600	140/484	5,1
142524-C05	center	protected surf.	600	487	
145017-C-5	center - top	protected surf.	600	487	
142525-RDX05	rear right	protected surf.	600	487	
142526-RSX05	rear left	protected surf.	600	487	

Note: only by request

142530-DX02	lateral center right	protected surf.	400		
142531-SX02	lateral center left	protected surf.	400		
142532-RDX02	rear center right	protected surf.	400		
142533-RSX02	rear center left	protected surf.	400		

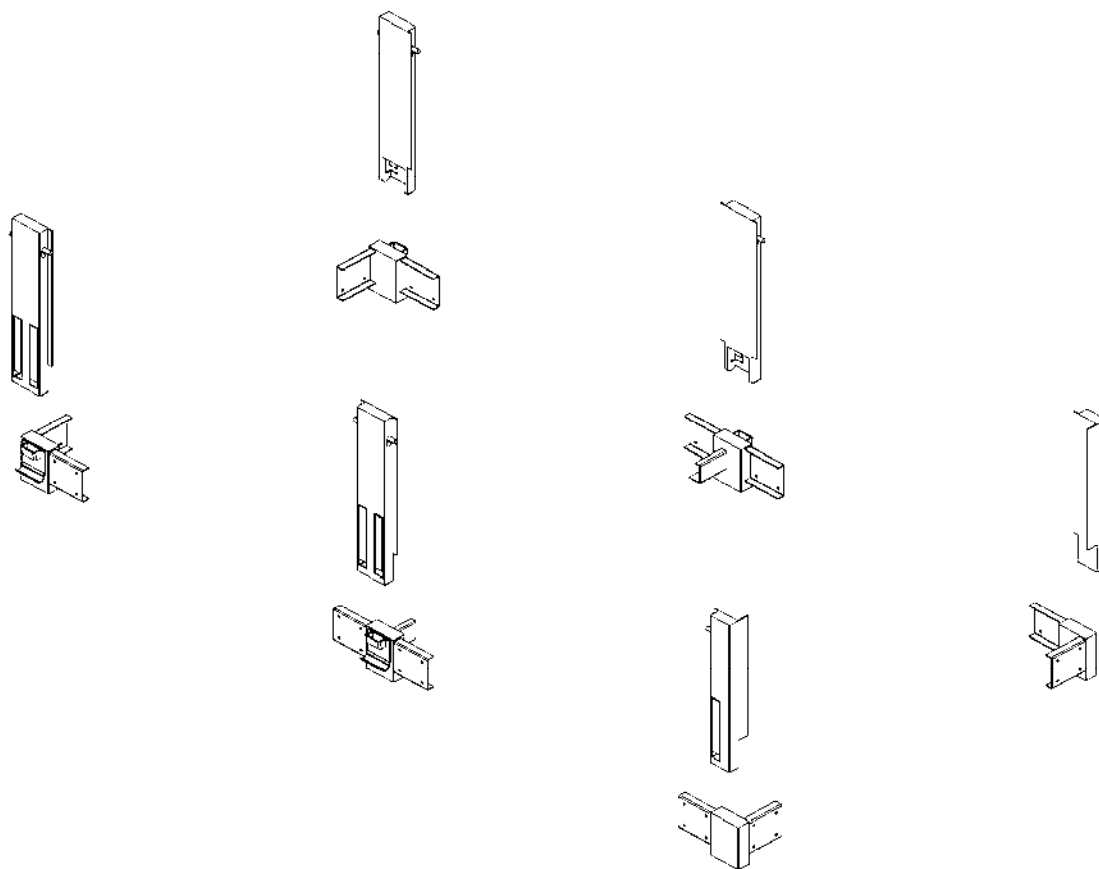
142535-DX02	lateral center right	protected surf.	500		
142536-SX02	lateral center left	protected surf.	500		
142537-RDX02	rear center right	protected surf.	500		
142538-RSX02	rear center left	protected surf.	500		

142540-DX02	lateral center right	protected surf.	600		
142541-SX02	lateral center left	protected surf.	600		
142542-DX02	rear center right	protected surf.	600		
142543-SX02	rear center left	protected surf.	600		

Note: only by request

6.2.2

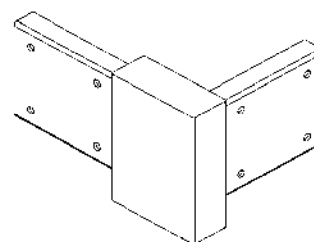
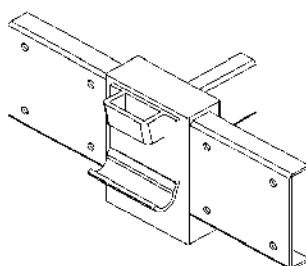
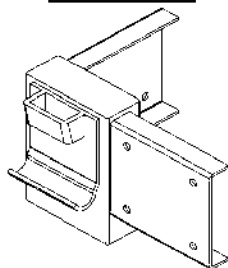
SUPPORTS FOR REMOVABLE PILLARS



Rear

Central

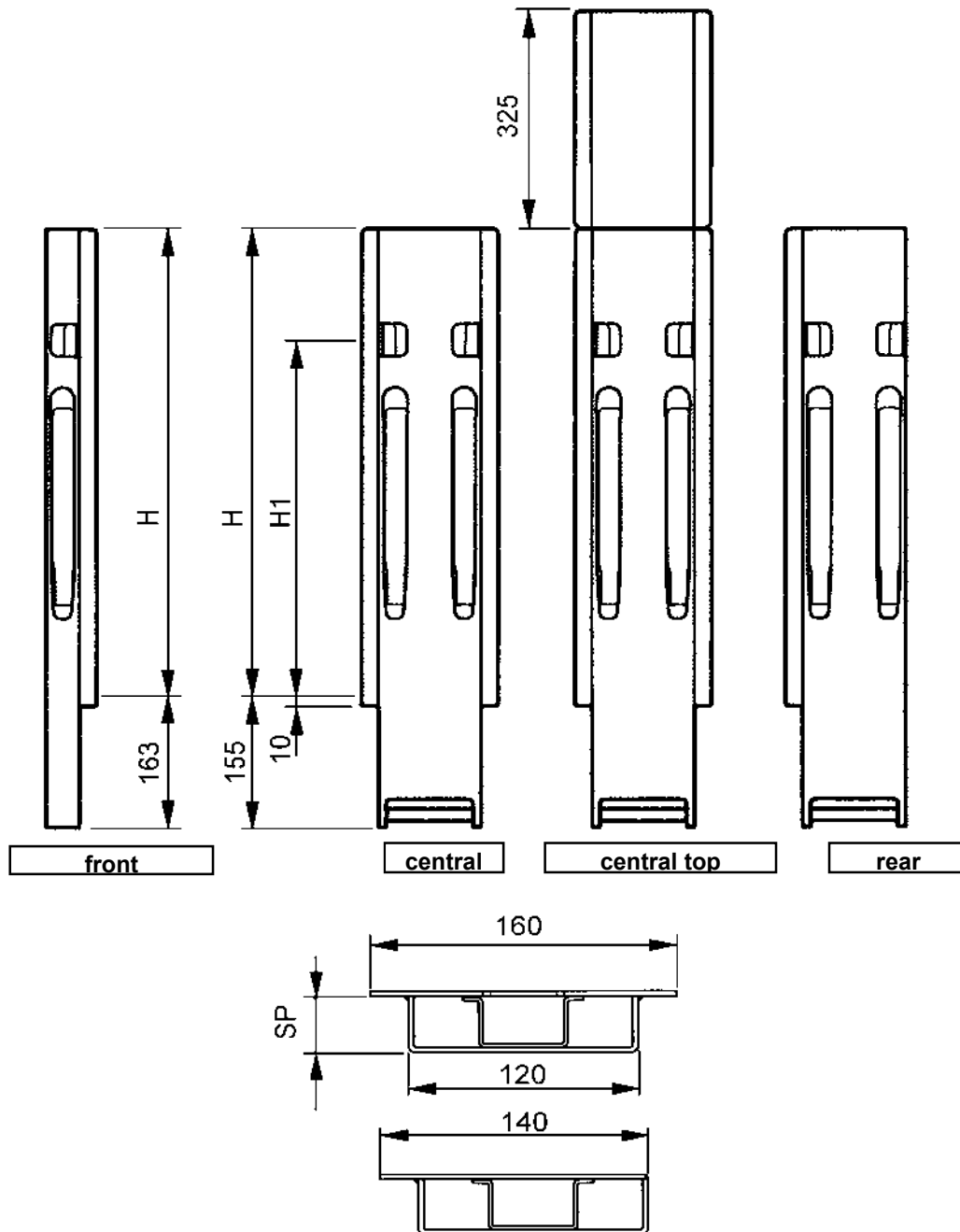
Front



CODE	DESCRIPTION	SURFACE	WEIGHT
14-T25FDX-03	support for removable pillar - front right	zinc	1,8
14-T25FSX-03	support for removable pillar - front left	zinc	1,8
14-T25CDX-03	support for removable pillar - center right	zinc	2,5
14-T25CSX-03	support for removable pillar - center left	zinc	2,5
14-T25RDX-03	support for removable pillar - rear right	zinc	2,2
14-T25RSX-03	support for removable pillar - rear left	zinc	2,2

Removable pillars with 1 lock

SP 33



Removable pillars with 1 lock

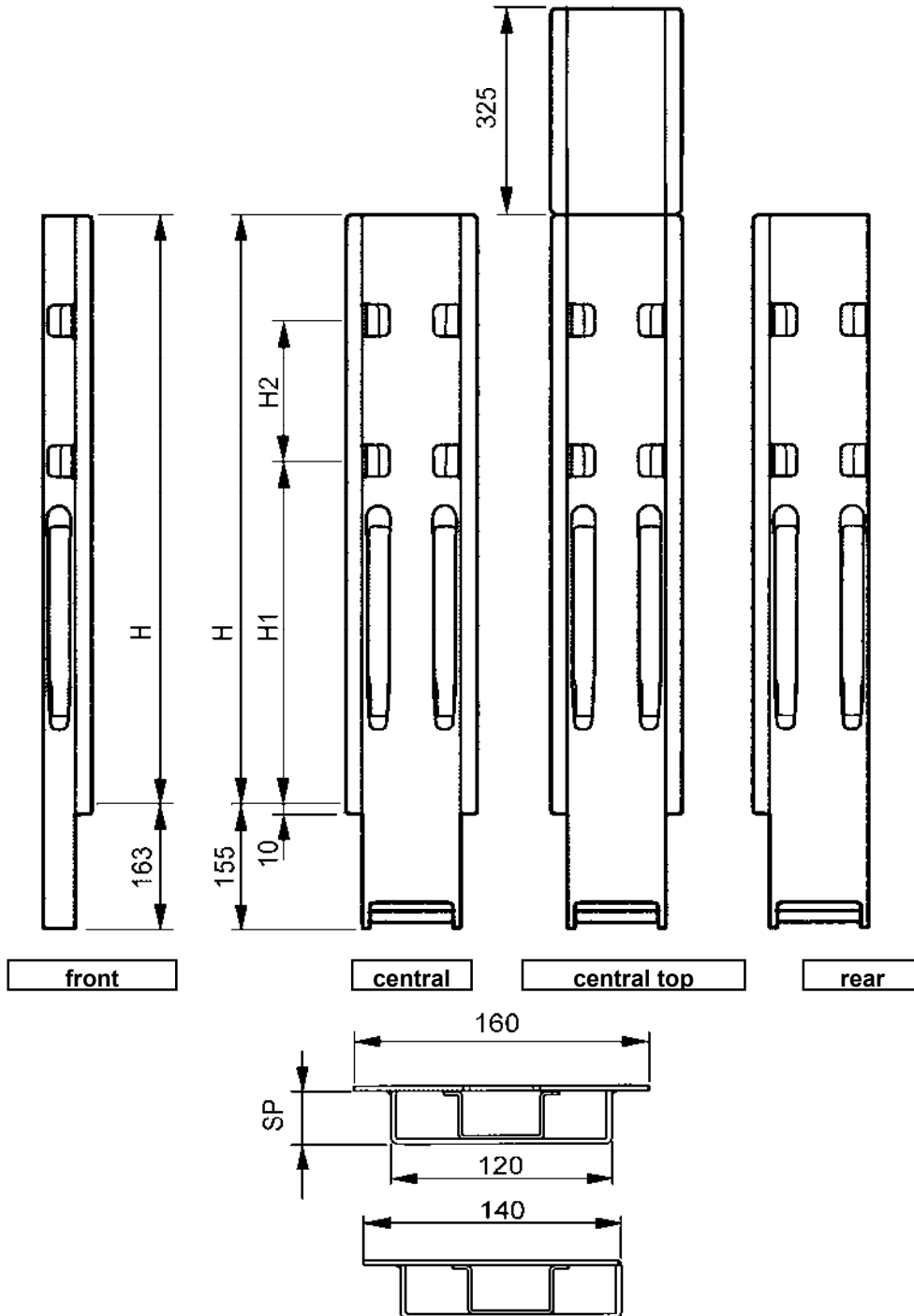
1450906FDX05	front right	painted	500	357	2,8
1450906FSX05	front left	painted	500	357	2,8
1450908-C05	center	painted	500	357	8,9
1450909-C05	center top	painted	500	357	11,9
1450910FDX05	rear right	painted	500	357	8,7
1450910FSX05	rear left	painted	500	357	8,7

1450912FDX05	front right	painted	600	457	3,1
1450912FSX05	front left	painted	600	457	3,1
1450914-C05	center	painted	600	457	9,8
1450915-C05	center top	painted	600	457	12,8
1450916FDX05	rear right	painted	600	457	9,6
1450916FSX05	rear left	painted	600	457	9,6

1450918FDX05	front right	painted	800	657	4,1
1450918FSX05	front left	painted	800	657	4,1
1450920-C05	center	painted	800	657	12,1
1450921-C05	center top	painted	800	657	15,5
1450922FDX05	rear right	painted	800	657	11,7
1450922FSX05	rear left	painted	800	657	11,7

SP 33

Removable pillars with 2 locks

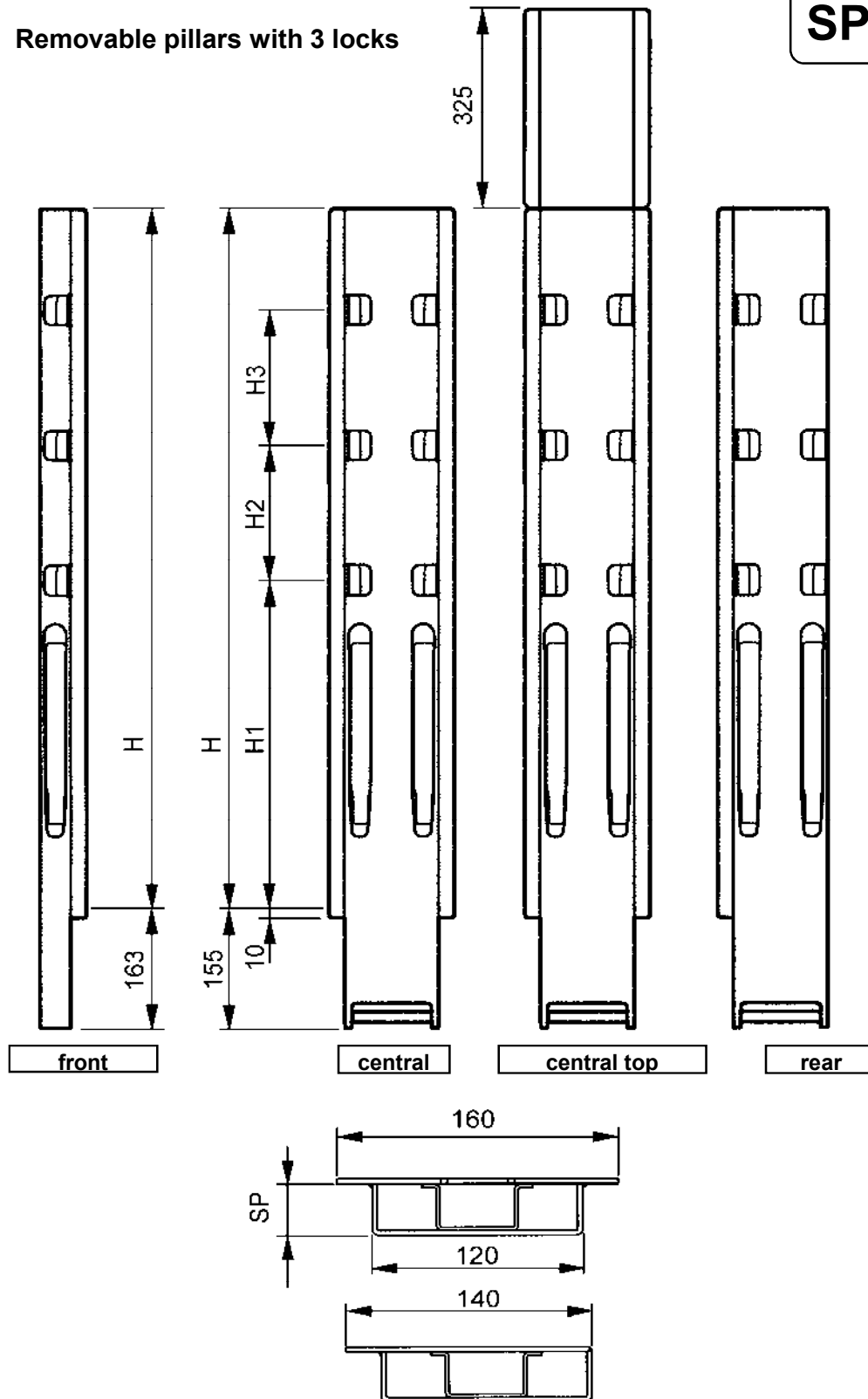


Removable pillars with 2 locks

CODE	DESCRIPTION	SURFACE	H	H1	H2	WEIGHT
1450924FDX05	front right	painted	800	457	200	4
1450924FSX05	front left	painted	800	457	200	4
1450926-C05	center	painted	800	457	200	12
1450927-C05	center top	painted	800	457	200	15,5
1450928FDX05	rear right	painted	800	457	200	11,6
1450928FSX05	rear left	painted	800	457	200	11,6
1450930FDX05	front right	painted	1000	457	400	4,9
1450930FSX05	front left	painted	1000	457	400	4,9
1450932-C05	center	painted	1000	457	400	14,2
1450933-C05	center top	painted	1000	457	400	16,8
1450934FDX05	rear right	painted	1000	457	400	13,7
1450934FSX05	rear left	painted	1000	457	400	13,7

SP 33

Removable pillars with 3 locks



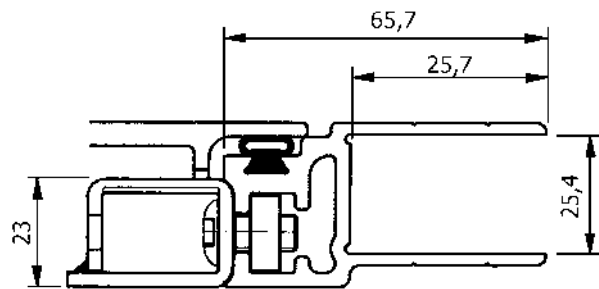
Removable pillars with 3 locks

Note: only by request

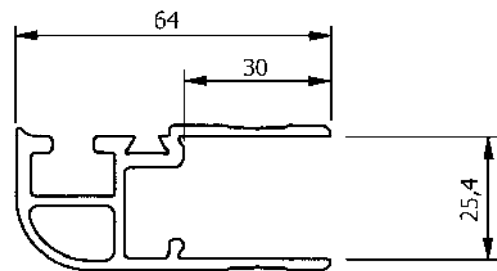
CODE	DESCRIPTION	SURFACE	H	H1	H2	H3	WEIGHT
1450936FDX05	front right	painted	1100	457	200	300	5,3
1450936FSX05	front left	painted	1100	457	200	300	5,3
1450938-C05	center	painted	1100	457	200	300	15,1
1450939-C05	center top	painted	1100	457	200	300	17,8
1450940FDX05	rear right	painted	1100	457	200	300	14,6
1450940FSX05	rear left	painted	1100	457	200	300	14,6
1450942FDX05	front right	painted	1200	457	300	300	5,7
1450942FSX05	front left	painted	1200	457	300	300	5,7
1450944-C05	center	painted	1200	457	300	300	16,8
1450945-C05	center top	painted	1200	457	300	300	19,4
1450946FDX05	rear right	painted	1200	457	300	300	16,2
1450946FSX05	rear left	painted	1200	457	300	300	16,2

6.2.6

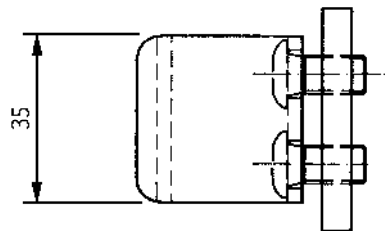
SPARE PARTS FOR KINNEGRIP PILLARS



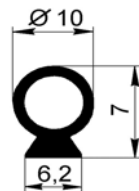
1251-25-92



1251-25-82



1450891-03



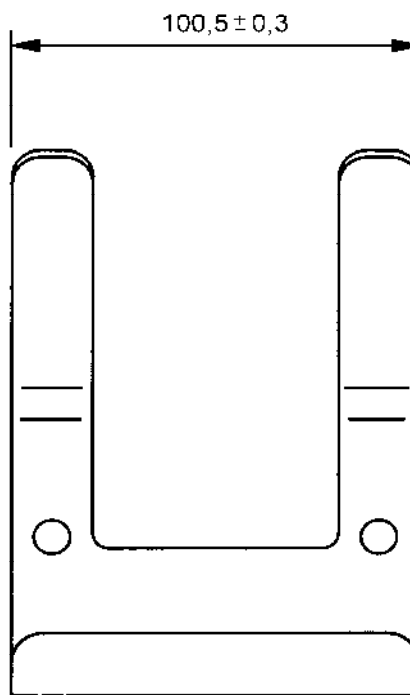
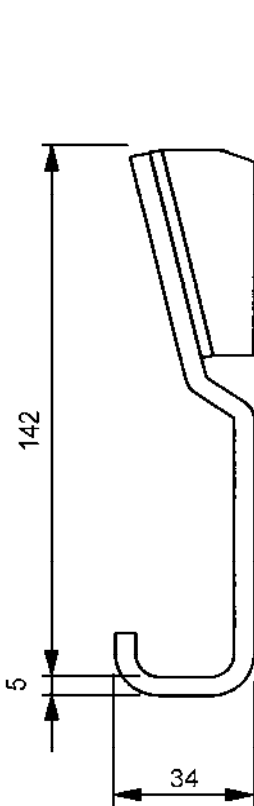
1260-003-6

CODE	DESCRIPTION	SURFACE	LENGT-m	Kg/m	WEIGHT
1251-25-92	lateral edge 25 mm	elox	5,1	1,41	
1251-25-82	rear edge 25 mm	elox	6	1,21	
1450891-03	pillar support set	zinc			0,15
1260-003-6	rubber gasket	natur	order	0,05	



145093001

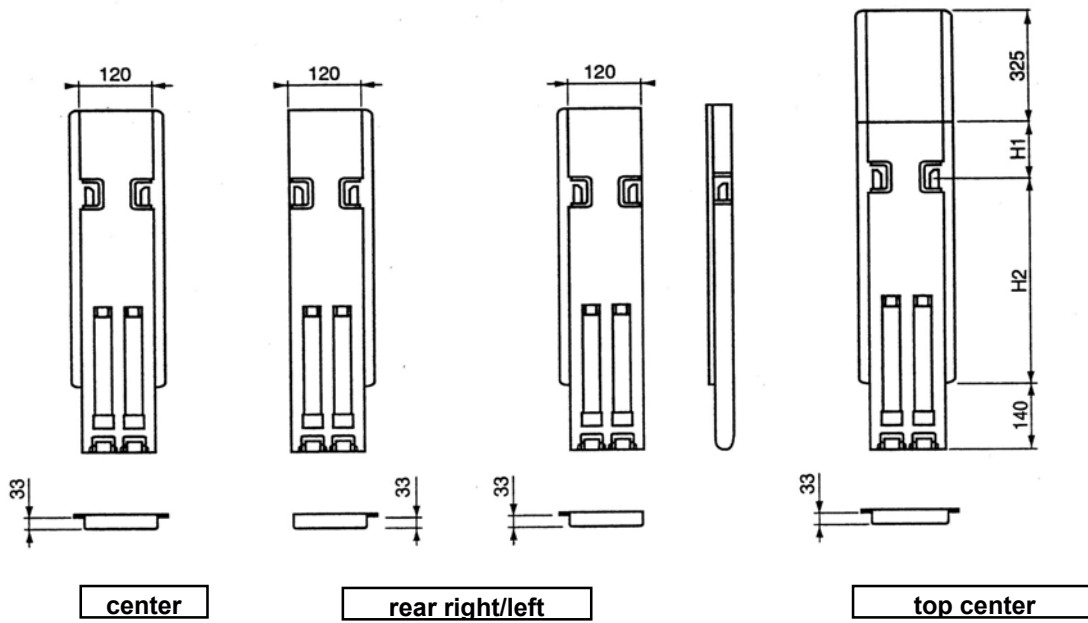
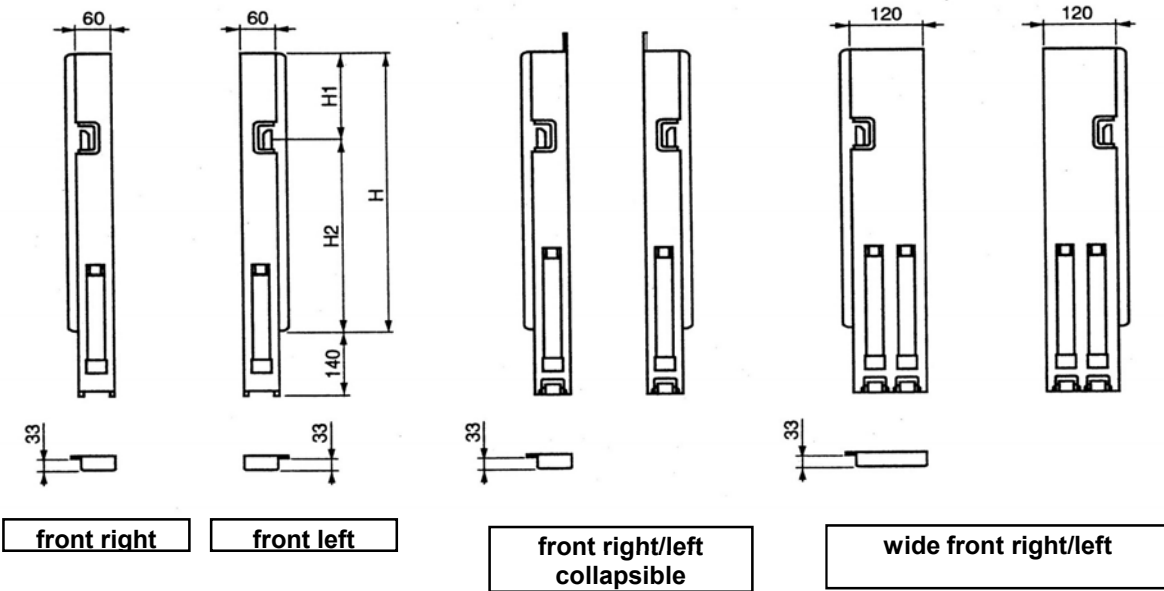
145093002



1450898-08

CODE	DESCRIPTION	SURFACE	WEIGHT
145093001	Plastic plug - small	natur	1,41
145093002	Plastic plug - big	natur	1,21
1450898-08	Pillar footstep	natur	0,58

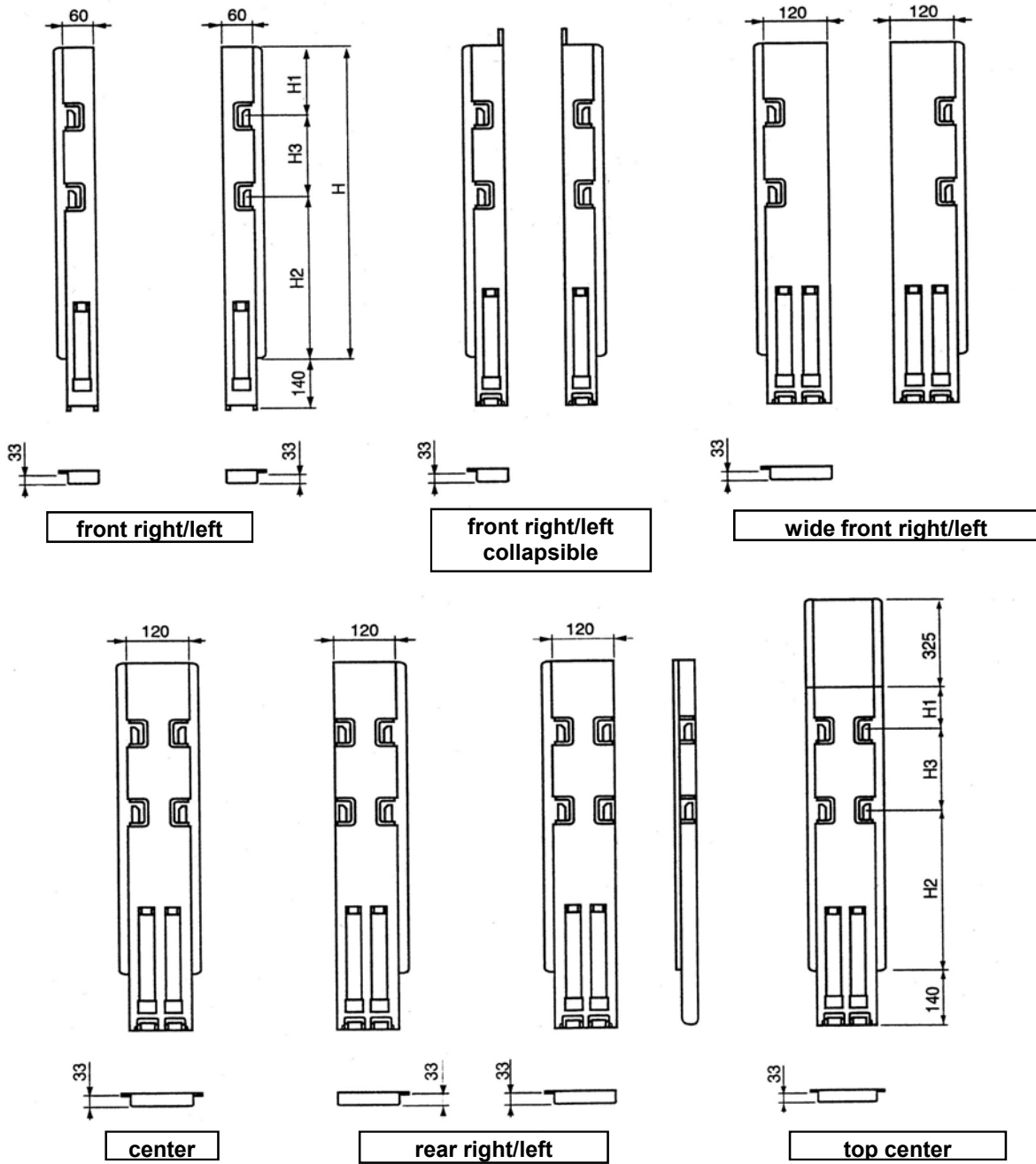
Collapsible pillars with one lock



CODE	DESCRIPTION	SURFACE	H	H1	H2	WEIGHT
1456250FDX05	front right	painted	400	45	355	5,2
1456250FSX05	front left	painted	400	45	355	5,2
14256251FDX05	front right releasable	painted	400	45	355	5,6
14256251FSX05	front left releasable	painted	400	45	355	5,6
1456252-C05	center	painted	400	45	355	9,1
1456253RDX05	rear right	painted	400	45	355	9,15
1456253RSX05	rear left	painted	400	45	355	9,15
1456254FDX05	front right	painted	500	145	355	5,6
1456254FSX05	front left	painted	500	145	355	5,6
1456255FDX05	front right releasable	painted	500	145	355	6
1456255FSX05	front left releasable	painted	500	145	355	6
1456291FDX05	wide front right	painted	500	145	355	9,4
1456291FSX05	wide front left	painted	500	145	355	9,4
1456256-C05	center	painted	500	145	355	9,8
1456980-C05	top center	painted	500	145	355	9,8
1456257RDX05	rear right	painted	500	145	355	9,75
1456257RSX05	rear left	painted	500	145	355	9,75
1456258FDX05	front right	painted	600	180	420	6
1456258FSX05	front left	painted	600	180	420	6
1456259FDX05	front right releasable	painted	600	180	420	6,4
1456259FSX05	front left releasable	painted	600	180	420	6,4
1456298FDX05	wide front right	painted	600	180	420	10
1456298FSX05	wide front left	painted	600	180	420	10
1456260-C05	center	painted	600	180	420	10,5
1456292-C05	top center	painted	600	110	420	14,06
1456261RDX05	rear right	painted	600	180	420	10,35
1456261RSX05	rear left	painted	600	180	420	10,35
1456262FDX05	front right	painted	800	180	620	6,8
1456262FSX05	front left	painted	800	180	620	6,8
1456263FDX05	front right releasable	painted	800	180	620	7,2
1456263FSX05	front left releasable	painted	800	180	620	7,2
1456264FDX05	wide front right	painted	800	180	620	11,2
1456264FSX05	wide front left	painted	800	180	620	11,2
1456265-C05	center	painted	800	180	620	11,9
1456293-C05	top center	painted	800	110	620	15,46
1456266RDX05	rear right	painted	800	180	620	11,5
1456266RSX05	rear left	painted	800	180	620	11,5

SP 33

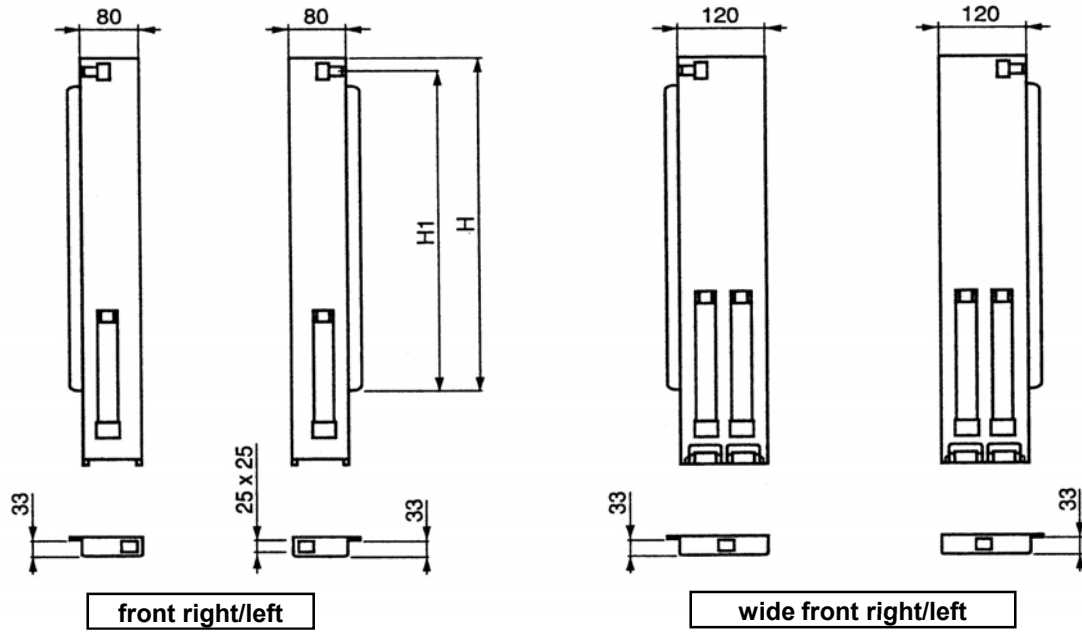
Collapsible pillars with two lock



CODE	DESCRIPTION	SURFACE	H	H1	H2	H3	WEIGHT
1456267FDX05	front right	painted	1000	180	410	410	8
1456267FSX05	front left	painted	1000	180	410	410	8
1456268FDX05	front right collapsible	painted	1000	180	410	410	8,4
1456268FSX05	front left collapsible	painted	1000	180	410	410	8,4
1456269FDX05	wide front right	painted	1000	180	410	410	13,4
1456269FSX05	wide front left	painted	1000	180	410	410	13,4
145627-C05	center	painted	1000	180	410	410	14,5
1456294-C05	top center	painted	1000	110	410	410	18,06
1456271RDX05	rear right	painted	1000	180	410	410	14
1456271RSX05	rear left	painted	1000	180	410	410	14
1456272FDX05	front right	painted	1100	80	510	510	8,4
1456272FSX05	front left	painted	1100	80	510	510	8,4
1456273FDX05	front right collapsible	painted	1100	80	510	510	8,8
1456273FSX05	front left collapsible	painted	1100	80	510	510	8,8
1456274FDX05	wide front right	painted	1100	80	510	510	14
1456274FSX05	wide front left	painted	1100	80	510	510	14
1456275-C05	center	painted	1100	80	510	510	15,2
1456276RDX05	rear right	painted	1100	80	510	510	14,6
1456276RSX05	rear left	painted	1100	80	510	510	14,6
1456277RDX05	front right	painted	1200	180	510	510	5,2
1456277RSX05	front left	painted	1200	180	510	510	5,2
1456279RDX05	wide front right	painted	1200	180	510	510	5,6
1456279RSX05	wide front left	painted	1200	180	510	510	5,6
1456280-C05	center	painted	1200	180	510	510	9,1
1456281RDX05	rear right	painted	1200	180	510	510	9,15
1456281RSX05	rear left	painted	1200	180	510	510	9,15

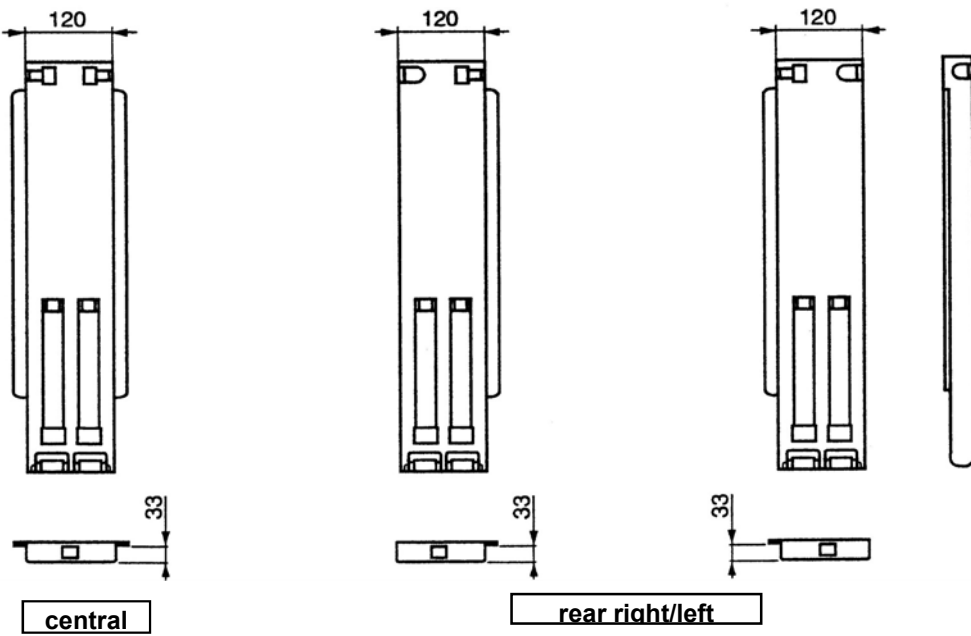
SP 33

Overturning pillars thickness 33 with 1 lock



front right/left

wide front right/left



central

rear right/left

CODE	DESCRIPTION	SURFACE	H	WEIGHT
1456200FDX08	front right	natur	400	6,2
1456200FSX08	front left	natur	400	6,2
1456201-C08	center	natur	400	9,5
1456202RDX08	rear right	natur	400	9,4
1456202RSX08	rear left	natur	400	9,4

1456203FDX08	front right	natur	500	7,2
1456203FSX08	front left	natur	500	7,2
1456204-C08	center	natur	500	11,1
1456205RDX08	rear right	natur	500	10,9
1456205RSX08	rear left	natur	500	10,9

1456206FDX08	front right	natur	600	7,7
1456206FSX08	front left	natur	600	7,7
1456208-C08	center	natur	600	11,9
1456209RDX08	rear right	natur	600	11,6
1456209RSX08	rear left	natur	600	11,6

1456210FDX08	front right	natur	700	8,2
1456210FSX08	front left	natur	700	8,2
1456212-C08	center	natur	700	12,7
1456213RDX08	rear right	natur	700	12,3
1456213RSX08	rear left	natur	700	12,3

Note: only by request

1456214FDX08	front right	natur	800	8,7
1456214FSX08	front left	natur	800	8,7
1456216FDX08	wide front right	natur	800	12,7
1456216FSX08	wide front left	natur	800	12,7
1456217-C08	center	natur	800	13,5
1456218RDX08	rear right	natur	800	13
1456218RSX08	rear left	natur	800	13

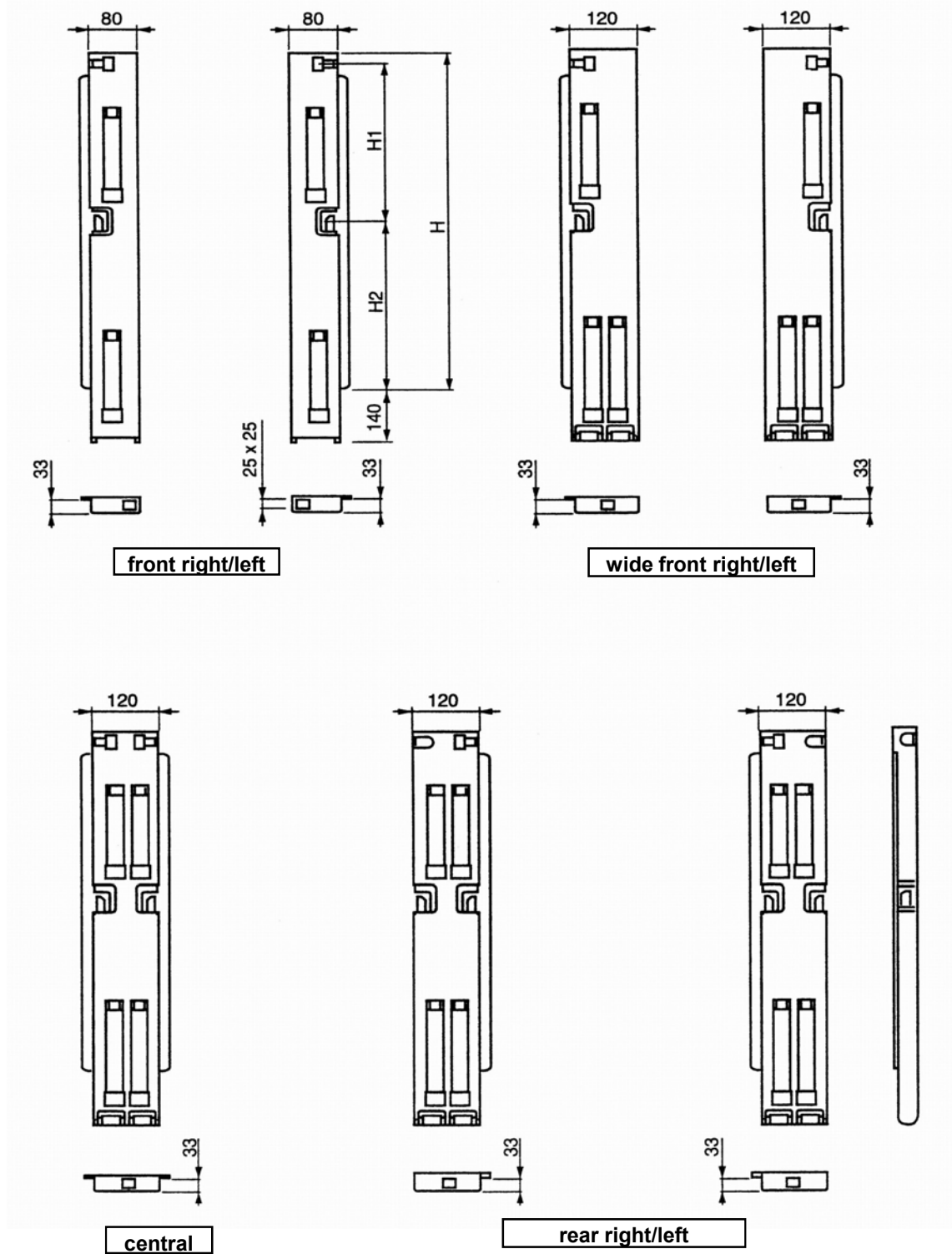
1456219FDX08	front right	natur	900	9,2
1456219FSX08	front left	natur	900	9,2
1456221FDX08	wide front right	natur	900	13,4
1456221FSX08	wide front left	natur	900	13,4
1456222-C08	center	natur	900	14,3
1456223RDX08	rear right	natur	900	13,7
1456223RSX08	rear left	natur	900	13,7

1456223FDX08	front right	natur	1000	9,7
1456223FSX08	front left	natur	1000	9,7
1456225-C08	center	natur	1000	15,1
1456226RDX08	rear right	natur	1000	14,4
1456226RSX08	rear left	natur	1000	14,4

56.227J	front right	natur	1100	10,2
56.227B	front left	natur	1100	10,2
56.228	center	natur	1100	15,9
56.229J	rear right	natur	1100	15,1
56.229B	rear left	natur	1100	15,1

SP 33

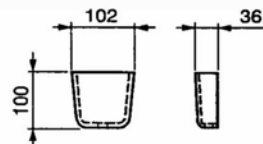
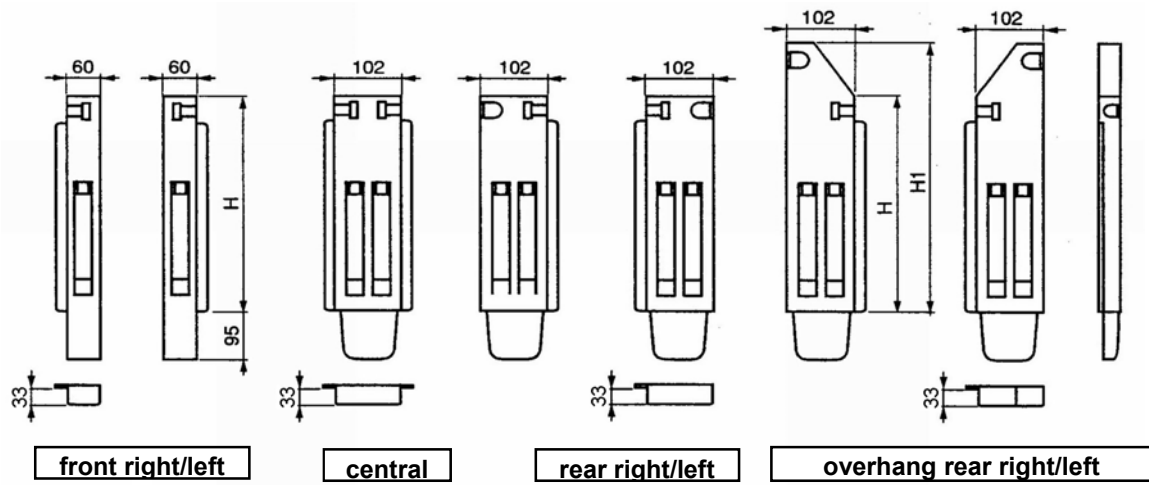
overturning pillars thickness 33 with 2 lock



CODE	DESCRIPTION	SURFACE	H	H1	H2	WEIGHT
1456230FDX08	front right	natur	900	433	445	11,5
1456230FSX08	front left	natur	900	433	445	11,5
1456232FDX08	wide front right	natur	900	433	445	15,1
1456232FSX08	wide front left	natur	900	433	445	15,1
1456233-C08	center	natur	900	433	445	16,9
1456234RDX08	rear right	natur	900	433	445	16,3
1456234RSX08	rear left	natur	900	433	445	16,3
1456235FDX08	front right	natur	1000	513	465	12
1456235FSX08	front left	natur	1000	513	465	12
1456237FDX08	wide front right	natur	1000	513	465	15,8
1456237FSX08	wide front left	natur	1000	513	465	15,8
1456238-C08	center	natur	1000	513	465	17,7
1456239RDX08	rear right	natur	1000	513	465	17
1456239RSX08	rear left	natur	1000	513	465	17
1456240FDX08	front right	natur	1100	513	565	12,5
1456240FSX08	front left	natur	1100	513	565	12,5
1456242FDX08	wide front right	natur	1100	513	565	16,5
1456242FSX08	wide front left	natur	1100	513	565	16,5
1456243-C08	center	natur	1100	513	565	18,5
1456244RDX08	rear right	natur	1100	513	565	17,7
1456244RSX08	rear left	natur	1100	513	565	17,7
1456245FDX08	front right	natur	1200	613	565	13
1456245FSX08	front left	natur	1200	613	565	13
1456247FDX08	wide front right	natur	1200	613	565	17,2
1456247FSX08	wide front left	natur	1200	613	565	17,2
1456248-C08	center	natur	1200	613	565	19,3
1456249RDX08	rear right	natur	1200	613	565	18,4
1456249RSX08	rear left	natur	1200	613	565	18,4

Removable pillars M91 th. 33

SP 33

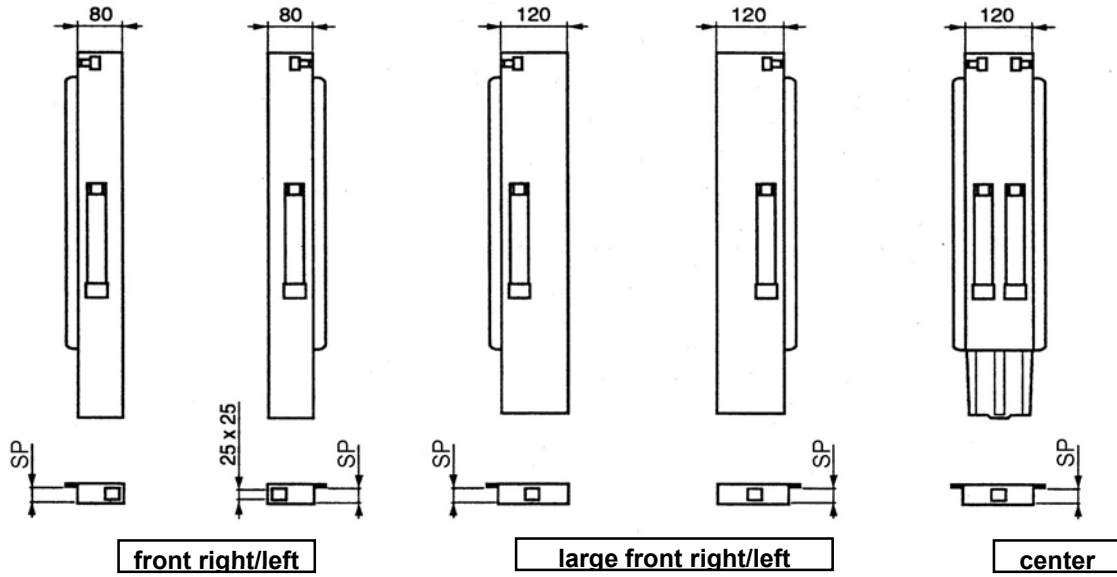


coupling house for pillar M91

CODE	DESCRIPTION	SURFACE	H	H1	WEIGHT
1451115FDX08	front right	natur	400		3,3
1451111FSX08	front left	natur	400		3,3
1451116-C08	center	natur	400		5,4
1451117RDX08	rear right	natur	400		5,3
1451117RSX08	rear left	natur	400		5,3
1451118RDX08	overhang rear right	natur	400	517	5,9
1451118RSX08	overhang rear left	natur	400	517	5,9
1451119FDX08	front right	natur	500		3,65
1451119FSX08	front left	natur	500		3,65
1451120-C08	center	natur	500		5,92
1451121RDX08	rear right	natur	500		5,82
1451121RSX08	rear left	natur	500		5,82
1451122RDX08	overhang rear right	natur	500	617	6,42
1451122RSX08	overhang rear left	natur	500	617	6,42
1451114-08	coupling house for pillar	natur			0,72

SP 33

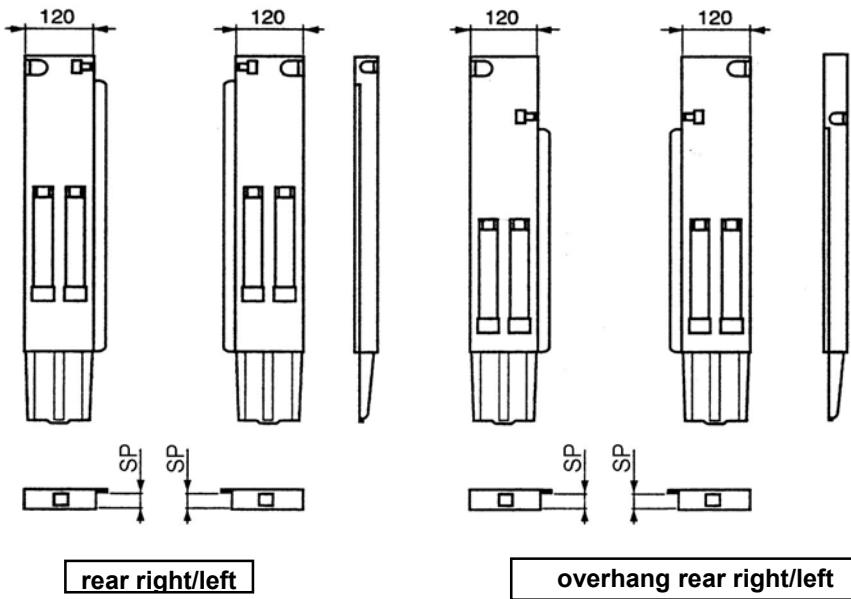
Removable pillars thickness 33 with 1 lock



front right/left

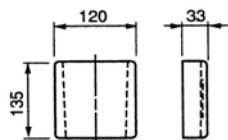
large front right/left

center



rear right/left

overhang rear right/left



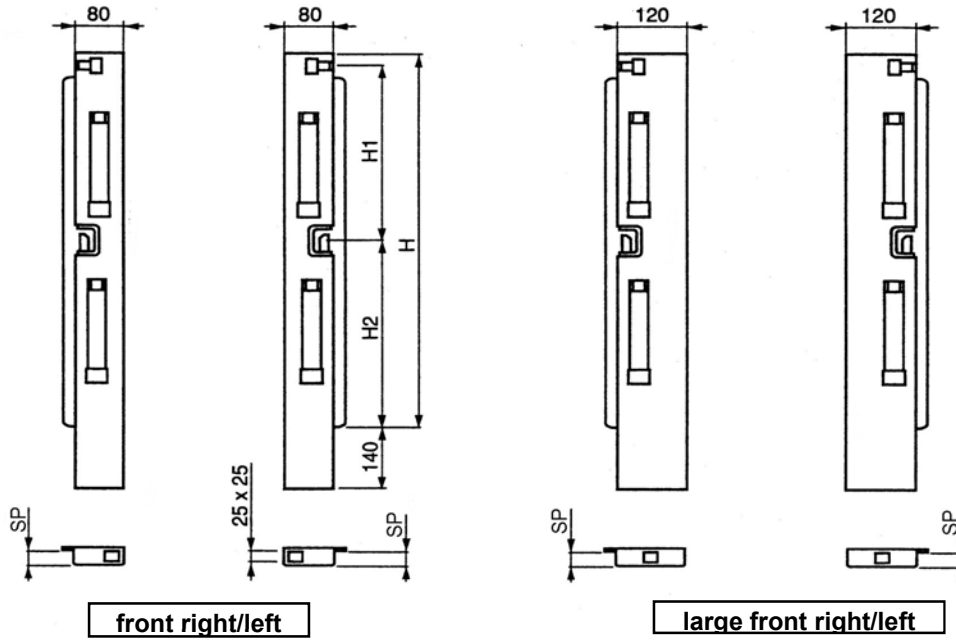
female part th. 33

CODE	DESCRIPTION	SURFACE	H	WEIGHT
1456066FDX08	front right	natur	400	3,8
1456066FSX08	front left	natur	400	3,8
1456648-C08	center	natur	400	9
1456649RDX08	rear right	natur	400	8,8
1456649RSX08	rear left	natur	400	8,8
1456730RDX08	overhang rear right	natur	400/500	10
1456730RSX08	overhang rear left	natur	400/500	10
1456100FDX08	front right	natur	500	6
1456100FSX08	front left	natur	500	6
1456101-C08	center	natur	500	11
1456102RDX08	rear right	natur	500	10,8
1456102RSX08	rear left	natur	500	10,8
1456752RDX08	overhang rear right	natur	500/600	11
1456752RSX08	overhang rear left	natur	500/600	11
1456103FDX08	front right	natur	60	7
1456103FSX08	front left	natur	600	7
1456104-C08	center	natur	600	12,4
1456105RDX08	rear right	natur	600	12,1
1456105RSX08	rear left	natur	600	12,1
1456753RDX08	overhang rear right	natur	600/700	12,4
1456753RSX08	overhang rear left	natur	600/700	12,4
1456106FDX08	front right	natur	700	7,5
1456106FSX08	front left	natur	700	7,5
1456107-C08	center	natur	700	13,2
1456108RDX08	rear right	natur	700	12,8
1456108RSX08	rear left	natur	700	12,8
1456754RDX08	overhang rear right	natur	700/800	13,2
1456108RSX08	overhang rear left	natur	700/800	13,2
1456109FDX08	front right	natur	800	8
1456108FSX08	front left	natur	800	8
1456111FDX08	wide front right	natur	800	9,3
1456111FSX08	wide front left	natur	800	9,3
1456112-C08	center	natur	800	9,8
1456113RDX08	rear right	natur	800	9,8
1456113RSX08	rear left	natur	800	14
1456755RDX08	overhang rear right	natur	800/900	14
1456755RSX08	overhang rear left	natur	800/900	14
1456114FDX08	front right	natur	900	8,5
1456114FSX08	front left	natur	900	8,5
1456115FDX08	front right removable	natur	900	9,8
1456115FSX08	front left removable	natur	900	9,8
1456116FDX08	wide front right	natur	900	10,5
1456116FSX08	wide front left	natur	900	10,5
1456117-C08	center	natur	900	14,8
1456118RDX08	rear right	natur	900	14,2
1456118RSX08	rear left	natur	900	14,2
1456119FDX08	front right	natur	1000	9
1456119FSX08	front left	natur	1000	9
1456120FDX08	front right removable	natur	1000	10,3
1456120FSX08	removable front left	natur	1000	10,3
1456121FDX08	wide front right	natur	1000	11,2
1456120FSX08	wide front left	natur	1000	11,2
1456122-C08	center	natur	1000	15,6
1456123RDX08	rear right	natur	1000	14,9
1456123RSX08	rear left	natur	1000	14,9
1456124FDX08	front right	natur	1100	9,5
1456124FSX08	front left	natur	1100	9,5
1456125FDX08	front right removable	natur	1100	10,8
1456125FSX08	front left removable	natur	1100	10,8
1456126FDX08	wide front right	natur	1100	11,9
1456126FSX08	wide front left	natur	1100	11,9
1456127-C08	center	natur	1100	16,4
1456128RDX08	rear right	natur	1100	15,6
1456128RSX08	rear left	natur	1100	15,6
1450020-08	female part th. 33	natur		2,3

Note: only by request

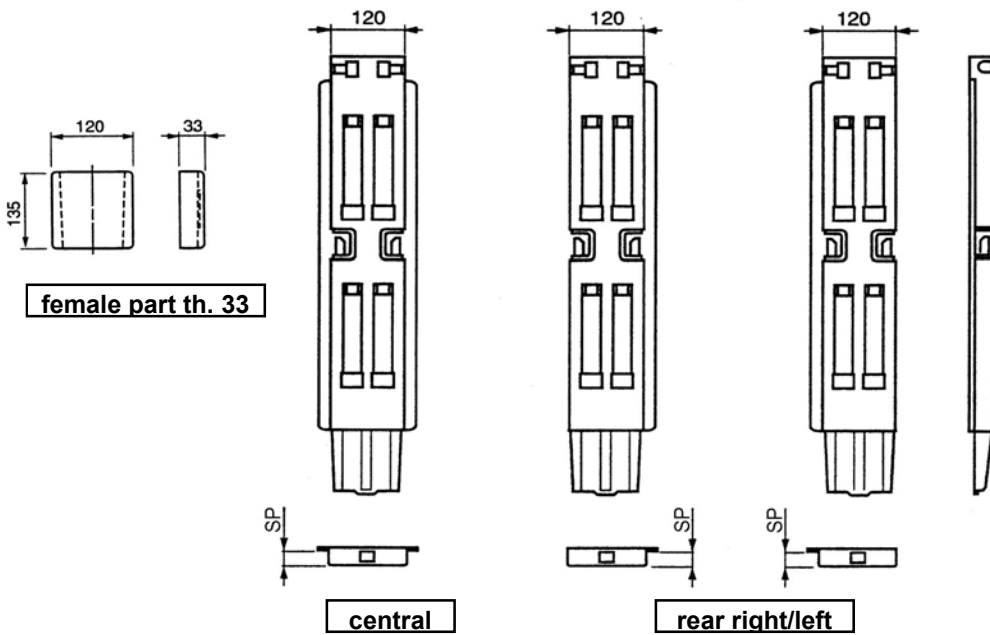
SP 33

Removable pillars thickness 33 with 2 lock



front right/left

large front right/left



female part th. 33

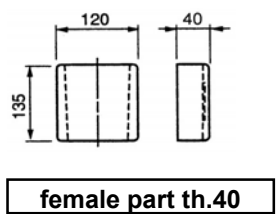
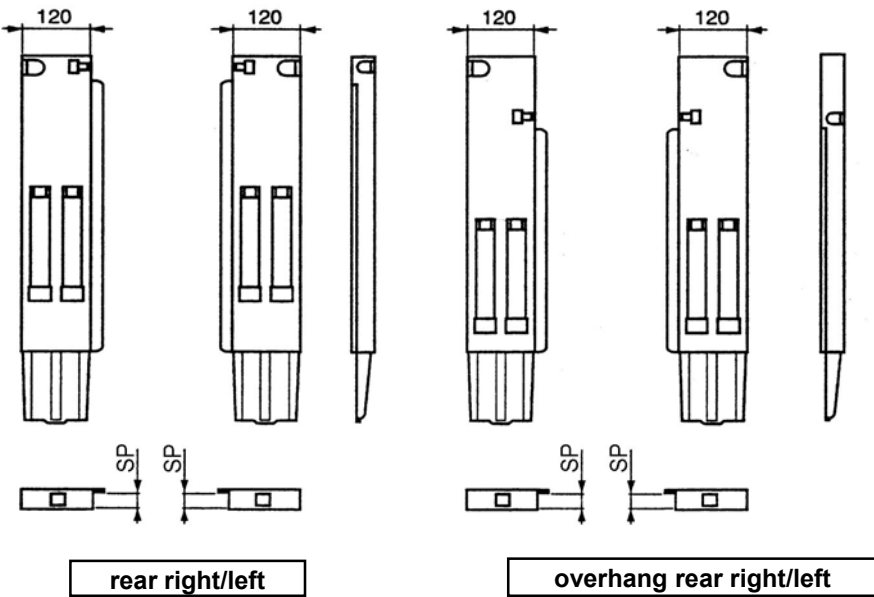
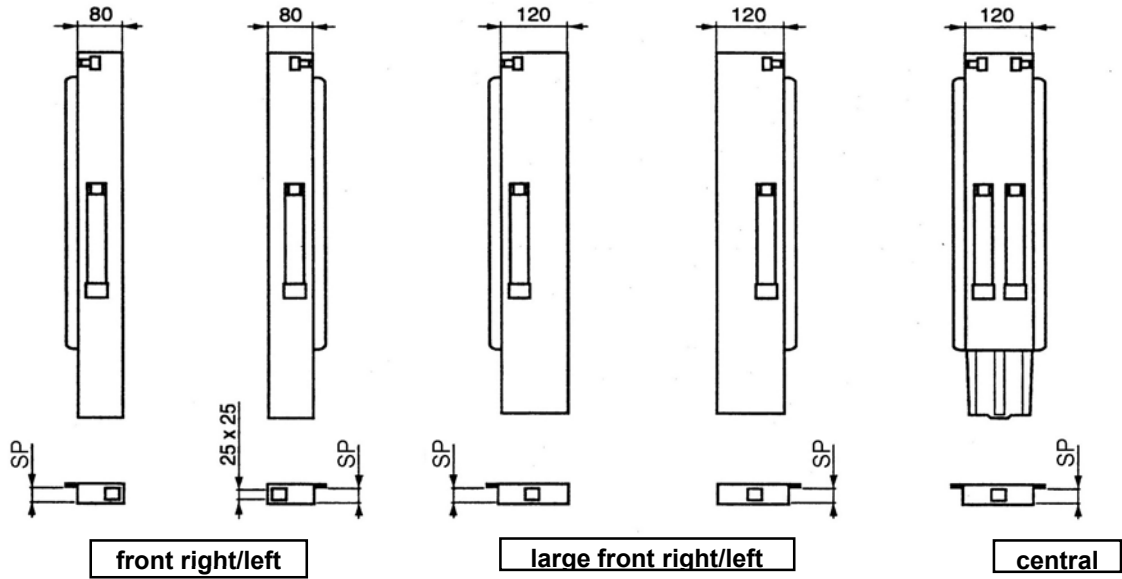
central

rear right/left

CODE	DESCRIPTION	SURFACE	H	H1	H2	WEIGHT
1456129FDX08	front right	natur	900	433	445	10,5
1456129FSX08	front left	natur	900	433	445	10,5
1456130FDX08	front right removable	natur	900	433	445	11,8
1456130FSX08	front left removable	natur	900	433	445	11,8
1456131FDX08	wide front right	natur	900	433	445	12,4
1456131FSX08	wide front left	natur	900	433	445	12,4
1456132-C08	center	natur	900	433	445	17,7
1456133RDX08	rear right	natur	900	433	445	17,1
1456133RSX08	rear left	natur	900	433	445	17,1
1456134FDX08	front right	natur	1000	513	465	11
1456134FSX08	front left	natur	1000	513	465	11
1456135FDX08	front right removable	natur	1000	513	465	12,3
1456135FSX08	front left removable	natur	1000	513	465	12,3
1456136FDX08	wide front right	natur	1000	513	465	13,1
1456136FSX08	wide front left	natur	1000	513	465	13,1
1456137-C08	center	natur	1000	513	465	18,5
1456138RDX08	rear right	natur	1000	513	465	17,8
1456138RSX08	rear left	natur	1000	513	465	17,8
1456139FDX08	front right	natur	1100	513	565	11,5
1456139FSX08	front left	natur	1100	513	565	11,5
1456140FDX08	front right removable	natur	1100	513	565	12,8
1456140FSX08	front left removable	natur	1100	513	565	12,8
1456141FDX08	wide front right	natur	1100	513	565	13,8
1456141FSX08	wide front left	natur	1100	513	565	13,8
1456142-C08	center	natur	1100	513	565	19,3
1456143RDX08	rear right	natur	1100	513	565	18,5
1456143RSX08	rear left	natur	1100	513	565	18,5
1456144FDX08	front right	natur	1200	613	565	12
1456144FSX08	front left	natur	1200	613	565	12
1456145FDX08	front right removable	natur	1200	613	565	13,3
1456145FSX08	front left removable	natur	1200	613	565	13,3
1456146FDX08	wide front right	natur	1200	613	565	14,5
1456146FSX08	wide front left	natur	1200	613	565	14,5
1456147-C08	center	natur	1200	613	565	20,1
1456148RDX08	rear right	natur	1200	613	565	19,2
1456148RSX08	rear left	natur	1200	613	565	19,2
14-50020-08	female part th. 33	natur				2,3

SP 40

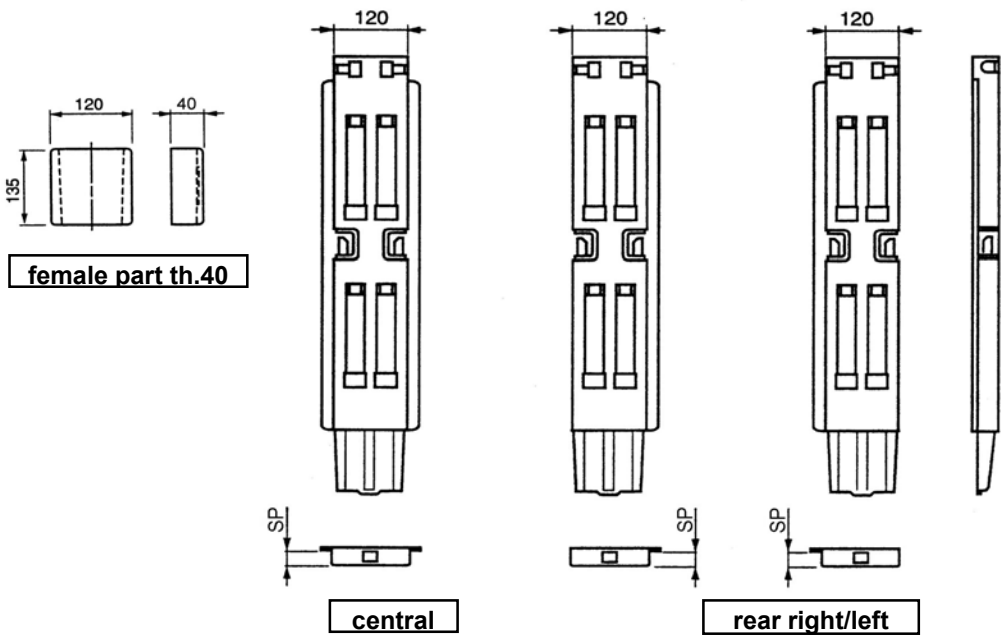
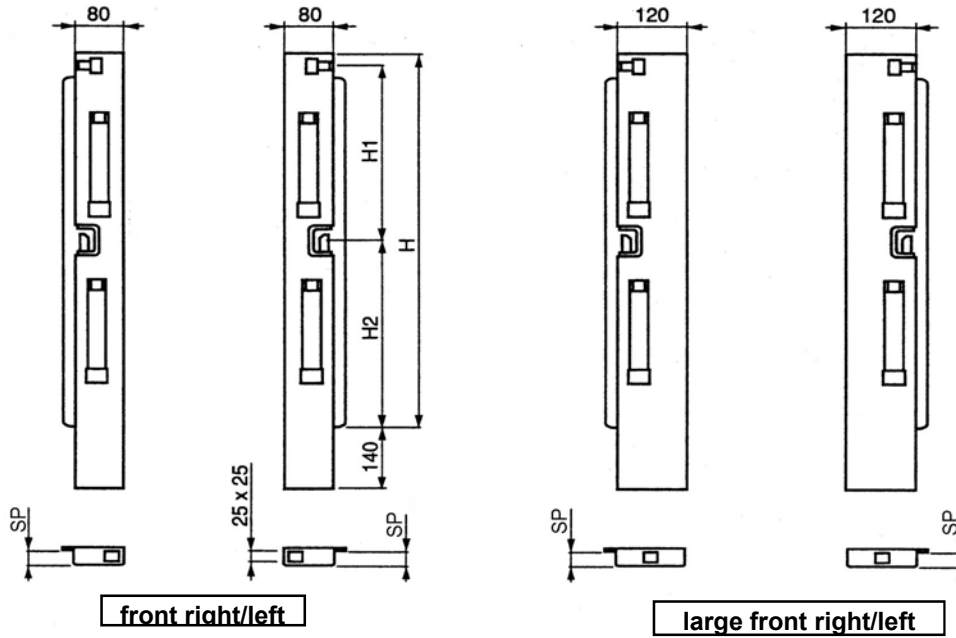
Removable pillars thickness 40 with 1 lock



CODE	DESCRIPTION	SURFACE	H	Kg/pcs
1456642FDX08	front right	natur	400	6,5
1456642FSX08	front left	natur	400	6,5
1456644-C08	center	natur	400	10,4
1456645RDX08	rear right	natur	400	10,3
1456645RSX08	rear left	natur	400	10,3
1456748RDX08	overhang rear right	natur	400/500	10,5
1456748RSX08	overhang rear left	natur	400/500	10,5
1456150FDX08	front right	natur	500	7,05
14561FSX08	front left	natur	500	7,05
1456151-C08	center	natur	500	12,45
1456152RDX08	rear right	natur	500	12,25
1456152RSX08	rear left	natur	500	12,25
1456756RDX08	overhang rear right	natur	500/600	12,45
1456756RSX08	overhang rear left	natur	500/600	12,45
1456153FDX08	front right	natur	600	7,6
1456153FSX08	front left	natur	600	7,6
1456154-C08	center	natur	600	13,3
1456155RDX08	rear right	natur	600	13
1456155RSX08	rear left	natur	600	13
1456757RDX08	overhang rear right	natur	600/700	13,2
1456757RSX08	overhang rear left	natur	600/700	13,2
1456156RDX08	front right	natur	700	8,15
1456156RSX08	front left	natur	700	8,15
1456157-C08	center	natur	700	14,15
1456158RDX08	rear right	natur	700	13,75
1456158RSX08	rear left	natur	700	13,75
1456758RDX08	overhang rear right	natur	700/800	13,95
1456758RSX08	overhang rear left	natur	700/800	13,95
1456159FDX08	front right	natur	800	8,7
1456159FSX08	front left	natur	800	8,7
1456160FDX08	front right removable	natur	800	10
1456160FSX08	front left removable	natur	800	10
1456161FDX08	wide front right	natur	800	10,5
1456161FSX08	wide front left	natur	800	10,5
1456162-C08	center	natur	800	15
1456163RDX08	rear right	natur	800	14,5
1456163RSX08	rear left	natur	800	14,5
1456759RDX08	overhang rear right	natur	800/900	14,7
1456759RSX08	overhang rear left	natur	800/900	14,7
1456164FDX08	front right	natur	900	9,25
1456164FSX08	front left	natur	900	9,25
1456165FDX08	front right removable	natur	900	10,55
1456165FSX08	front left removable	natur	900	10,55
1456166FDX08	wide front right	natur	900	11,25
1456166FSX08	wide front left	natur	900	11,25
1456167-C08	center	natur	900	15,85
1456168RDX08	rear right	natur	900	15,25
1456168RSX08	rear left	natur	900	15,25
1456169FDX08	front right	natur	1000	9,8
1456169FSX08	front left	natur	1000	9,8
1456170FDX08	front right removable	natur	1000	11,1
1456170FSX08	front left removable	natur	1000	11,1
1456171FDX08	wide front right	natur	1000	12
1456171FSX08	wide front left	natur	1000	12
1456172-C08	center	natur	1000	16,7
1456173RDX08	rear right	natur	1000	16
1456173RSX08	rear left	natur	1000	16
1456174FDX08	front right	natur	1100	10,35
1456174FSX08	front left	natur	1100	10,35
1456175FDX08	front right removable	natur	1100	11,65
1456174FSX08	front left removable	natur	1100	11,65
1456176FDX08	wide front right	natur	1100	12,75
1456176FSX08	wide front left	natur	1100	12,75
1456177-C08	center	natur	1100	17,55
1456178RDX08	rear right	natur	1100	16,75
1456178RSX08	rear left	natur	1100	16,75
14-50045-08	female part th. 40	natur		2,58

SP 40

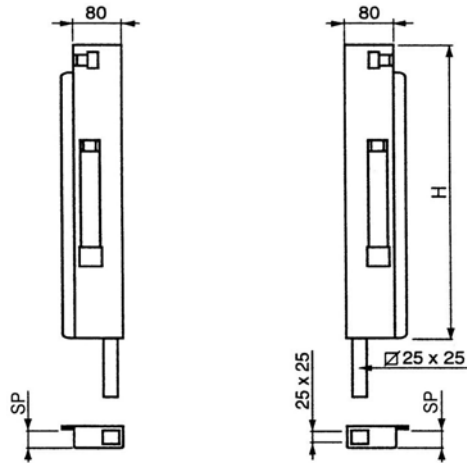
Removable pillars thickness 40 with 2 locks



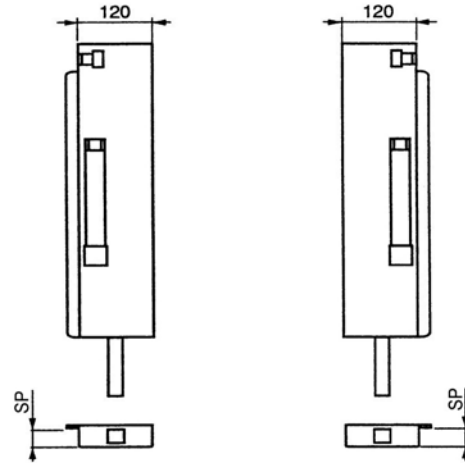
CODE	DESCRIPTION	SURFACE	H	H1	H2	WEIGHT
1456179FDX08	front right	natur	900	433	445	12,15
1456179FSX08	front left	natur	900	433	445	12,15
1456180FDX08	front right removable	natur	900	433	445	13,45
1456180FSX08	front left removable	natur	900	433	445	13,45
1456181FDX08	wide front right	natur	900	433	445	14,05
1456181FSX08	wide front left	natur	900	433	445	14,05
1456182-C08	center	natur	900	433	445	19,35
1456183RDX08	rear right	natur	900	433	445	18,75
1456183RSX08	rear left	natur	900	433	445	18,75
1456184FDX08	front right	natur	1000	513	465	12,7
1456184FSX08	front left	natur	1000	513	465	12,7
1456185FDX08	front right removable	natur	1000	513	465	14
1456185FSX08	front left removable	natur	1000	513	465	14
1456186FDX08	wide front right	natur	1000	513	465	14,8
1456186FSX08	wide front left	natur	1000	513	465	14,8
1456187-C08	center	natur	1000	513	465	20,2
1456188RDX08	rear right	natur	1000	513	465	19,5
1456188RSX08	rear left	natur	1000	513	465	19,5
1456189FDX08	front right	natur	1100	513	565	13,25
1456189FSX08	front left	natur	1100	513	565	13,25
1456190FDX08	front right removable	natur	1100	513	565	14,55
1456190FSX08	front left removable	natur	1100	513	565	14,55
1456191FDX08	wide front right	natur	1100	513	565	15,55
1456191FSX08	wide front left	natur	1100	513	565	15,55
1456192-C08	center	natur	1100	513	565	21,05
1456193RDX08	rear right	natur	1100	513	565	20,25
1456193RSX08	rear left	natur	1100	513	565	20,25
1456194FDX08	front right	natur	1200	613	565	13,8
1456194FSX08	front left	natur	1200	613	565	13,8
1456195FDX08	front right removable	natur	1200	613	565	15,1
1456195FSX08	front left removable	natur	1200	613	565	15,1
1456196FDX08	wide front right	natur	1200	613	565	16,3
1456196FSX08	wide front left	natur	1200	613	565	16,3
1456197-C08	center	natur	1200	613	565	21,9
1456198RDX08	rear right	natur	1200	613	565	21
1456198RSX08	rear left	natur	1200	613	565	21
14-50045-08	female part th. 40	natur				2,58

SP 33

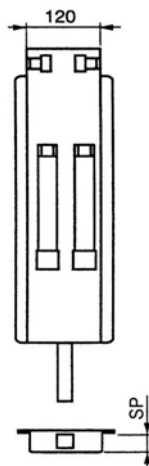
SP 40



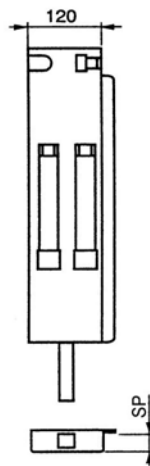
front right/left



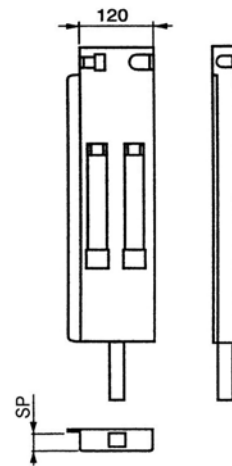
wide front right/left



center



rear right/left



SP 33
SP 40

CODE	DESCRIPTION	SURFACE	H	Kg/pcs
1452520FDX08	front right	natur	300	4,8
1452520FSX08	front left	natur	300	4,8
1452521FDX08	wide front right	natur	300	5,5
1452521FSX08	wide front left	natur	300	5,5
1452522-C08	center	natur	300	6,4
1452523RDX08	rear right	natur	300	6,35
1452523RSX08	rear left	natur	300	6,35

CODE	DESCRIPTION	SURFACE	H	Kg/pcs
1452424FDX08	front right	natur	400	5,8
1452424FSX08	front left	natur	400	5,8
1452425FDX08	wide front right	natur	400	6,7
1452425FSX08	wide front left	natur	400	6,7
1452426-C08	center	natur	400	8
1452427RDX08	rear right	natur	400	7,9
1452427RSX08	rear left	natur	400	7,9

1452400FDX08	front right	natur	400	5,3
1452400FSX08	front left	natur	400	5,3
1452401FDX08	wide front right	natur	400	6,2
1452401FSX08	wide front left	natur	400	6,2
1452402-C08	center	natur	400	7,2
1452403RDX08	rear right	natur	400	7,1
1452403RSX08	rear left	natur	400	7,1

1452428FDX08	front right	natur	500	6,35
1452428FSX08	front left	natur	500	6,35
1452429FDX08	wide front right	natur	500	7,45
1452429FSX08	wide front left	natur	500	7,45
1452430-C08	center	natur	500	8,85
1452431RDX08	rear right	natur	500	8,65
1452431RSX08	rear left	natur	500	8,65

1452404FDX08	front right	natur	500	5,8
1452404FSX08	front left	natur	500	5,8
1452405FDX08	wide front right	natur	500	6,9
1452405FSX08	wide front left	natur	500	6,9
1452406-C08	center	natur	500	8
1452407RDX08	rear right	natur	500	7,8
1452407RSX08	rear left	natur	500	7,8

1452432FDX08	front right	natur	600	6,9
1452432FSX08	front left	natur	600	6,9
1452433FDX08	wide front right	natur	600	8,2
1452433FSX08	wide front left	natur	600	8,2
1452434-C08	center	natur	600	9,7
1452435RDX08	rear right	natur	600	9,4
1452435RSX08	rear left	natur	600	9,4

1452408FDX08	front right	natur	600	6,3
1452408FSX08	front left	natur	600	6,3
1452409FDX08	wide front right	natur	600	7,6
1452409FSX08	wide front left	natur	600	7,6
1452410-C08	center	natur	600	8,78
1452411RDX08	rear right	natur	600	8,5
1452411RSX08	rear left	natur	600	8,5

1452436FDX08	front right	natur	700	7,45
1452436FSX08	front left	natur	700	7,45
1452437FDX08	wide front right	natur	700	8,95
1452437FSX08	wide front left	natur	700	8,95
1452438-C08	center	natur	700	10,55
1452439RDX08	rear right	natur	700	10,15
1452439RSX08	rear left	natur	700	10,15

1452412FDX08	front right	natur	700	6,8
1452412FSX08	front left	natur	700	6,8
1452413FDX08	wide front right	natur	700	8,3
1452413FSX08	wide front left	natur	700	8,3
1452414-C08	center	natur	700	9,8
1452415RDX08	rear right	natur	700	9,2
1452415RSX08	rear left	natur	700	9,2

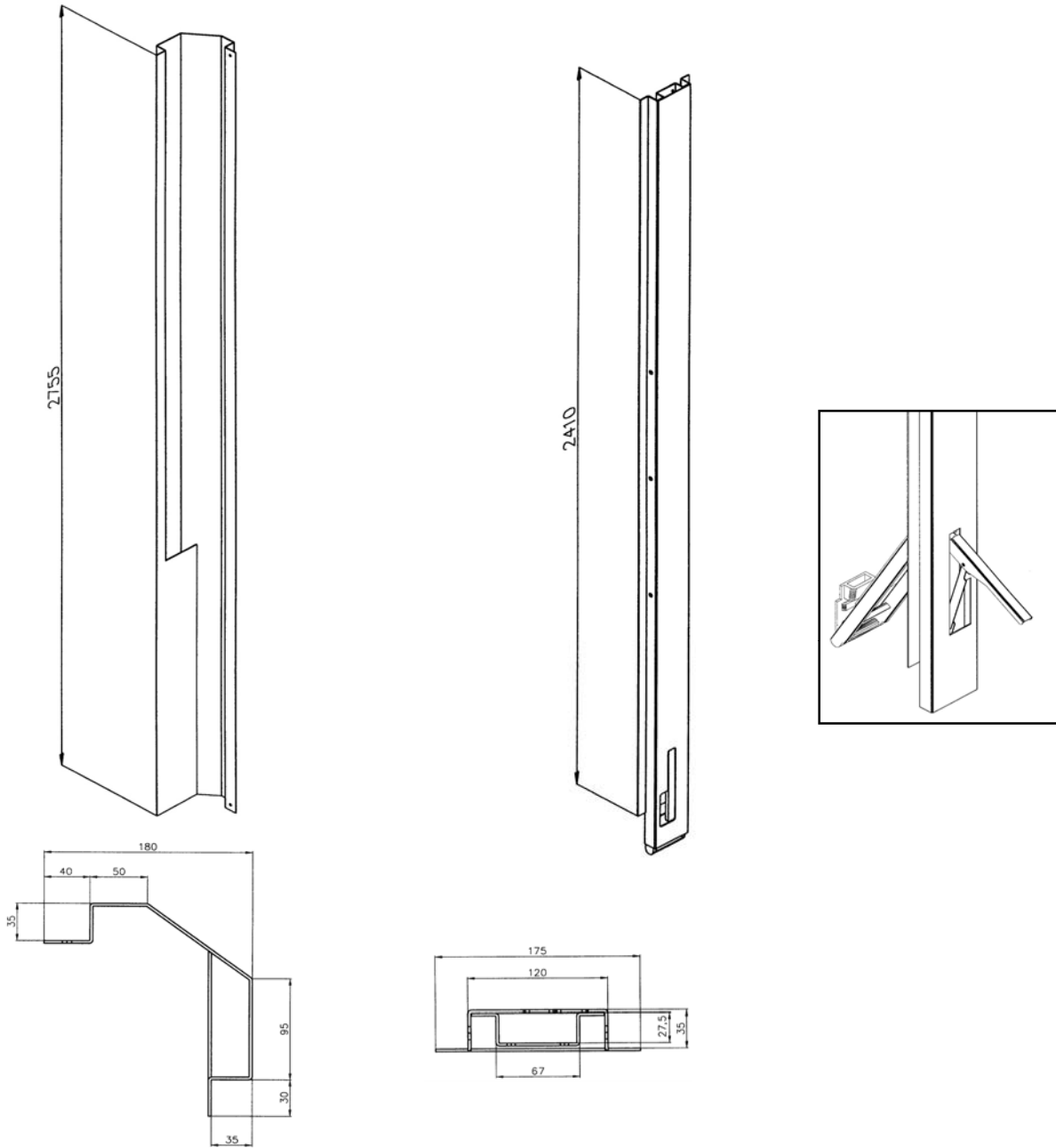
1452440FDX08	front right	natur	800	8
1452440FSX08	front left	natur	800	8
1452441FDX08	wide front right	natur	800	9,7
1452441FSX08	wide front left	natur	800	9,7
1452442-C08	center	natur	800	11,4
1452443RDX08	rear right	natur	800	10,9
1452443RSX08	rear left	natur	800	10,9

1452416FDX08	front right	natur	800	7,3
1452416FSX08	front left	natur	800	7,3
1452417FDX08	wide front right	natur	800	9
1452417FSX08	wide front left	natur	800	9
1452418-C08	center	natur	800	10,6
1452419RDX08	rear right	natur	800	9,9
1452419RSX08	rear left	natur	800	9,9

1452444FDX08	front right	natur	900	8,55
1452444FSX08	front left	natur	900	8,55
1452445FDX08	wide front right	natur	900	10,45
1452445FSX08	wide front left	natur	900	10,45
1452446-C08	center	natur	900	12,25
1452447RDX08	rear right	natur	900	11,65
1452447RSX08	rear left	natur	900	11,65

1452420FDX08	front right	natur	900	7,8
1452420FSX08	front left	natur	900	7,8
1452421FDX08	wide front right	natur	900	9,7
1452421FSX08	wide front left	natur	900	9,7
1452446-C08	center	natur	900	11,4
1452423RDX08	rear right	natur	900	10,6
1452423RSX08	rear left	natur	900	10,6

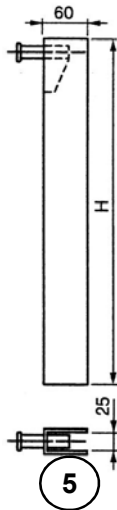
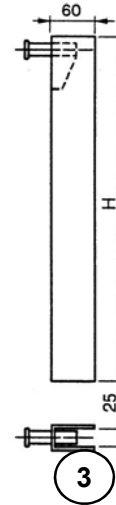
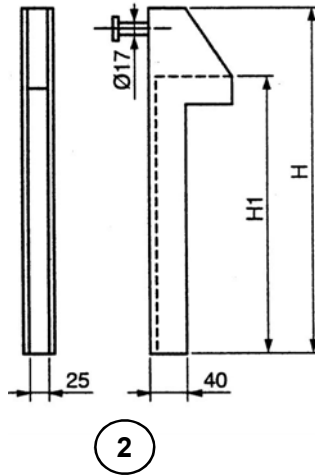
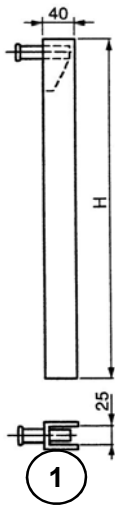
1452444FDX08	front right	natur	900	8,55
1452444FSX08	front left	natur	900	8,55
1452445FDX08	wide front right	natur	900	10,45
1452445FSX08	wide front left	natur	900	10,45
1452446-C08	center	natur	900	12,25
1452447RDX08	rear right	natur	900	11,65
1452447RSX08	rear left	natur	900	11,65



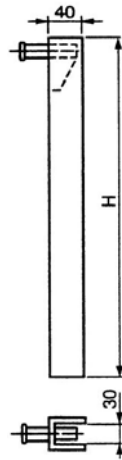
1

2

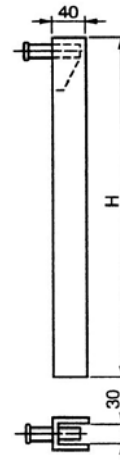
CODE	DESCRIPTION	SURFACE	WEIGHT
142612-FDX05	Front right for sistem 3000	painted	
142612-FSX05	Front left for sistem 3000	painted	
2	142604-C05	Overhang center for sistem 3000	painted



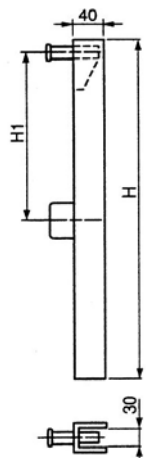
	CODE	DESCRIPTION	SURFACE	H	H1	WEIGHT
1	1450300DX03	lateral side board heads right 400mm SP25	zinc plated	400		0,76
	1450300SX03	lateral side board heads left 400mm SP25	zinc plated	400		0,76
2	1451105DX03	lateral side board heads 400mm SP25	zinc plated	517	400	1,23
3	1450771DX03	lateral side board heads right 500mm SP25	zinc plated	500		1,23
	1450771SX03	lateral side board heads left 500mm SP25	zinc plated	500		1,23
4	1450772DX03	lateral side board heads right 600mm SP25	zinc plated	600		1,45
	1450772SX03	lateral side board heads left 600mm SP25	zinc plated	600		1,45
5	1450773DX03	lateral side board heads right 700mm SP25	zinc plated	700		1,67
	1450773SX03	lateral side board heads left 700mm SP25	zinc plated	700		1,67
6	1450774DX03	lateral side board heads right 800mm SP25	zinc plated	800		1,89
	1450774SX03	lateral side board heads left 800mm SP25	zinc plated	800		1,89
7	1450775DX03	lateral side board heads right 900mm SP25	zinc plated	900		2,11
	1450775SX03	lateral side board heads left 900mm SP25	zinc plated	900		2,11



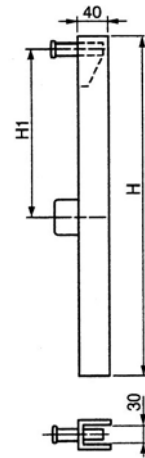
1



2

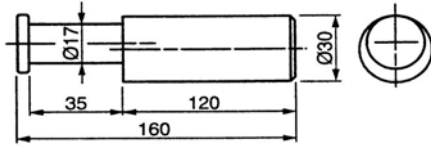


3

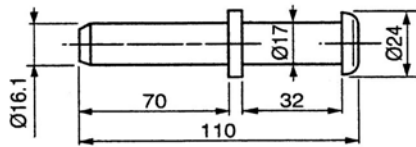


4

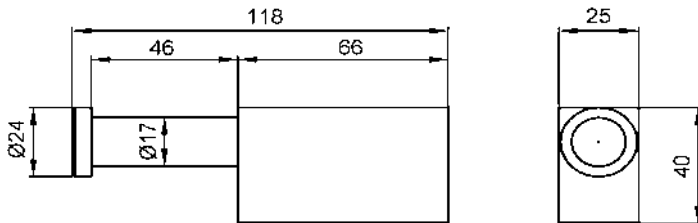
	CODE	DESCRIPTION	SURFACE	H	H1	WEIGHT
1	1450318DX03	lateral side board heads right 600mm SP30	zinc plated	600		1,12
	1450318SX03	lateral side board heads left 600mm SP30	zinc plated	600		1,12
2	1450320DX03	lateral side board heads right 800mm SP30	zinc plated	800		1,45
	1450320SX03	lateral side board heads left 800mm SP30	zinc plated	800		1,45
3	1450324DX03	lateral side board heads right 900mm SP30	zinc plated	900	433	2,02
	1450324SX03	lateral side board heads left 900mm SP30	zinc plated	900	433	2,02
4	1450325RD03	rear side board heads right 900mm SP30	zinc plated	900	433	1,82
	1450325RS03	rear side board heads left 900mm SP30	zinc plated	900	433	1,82



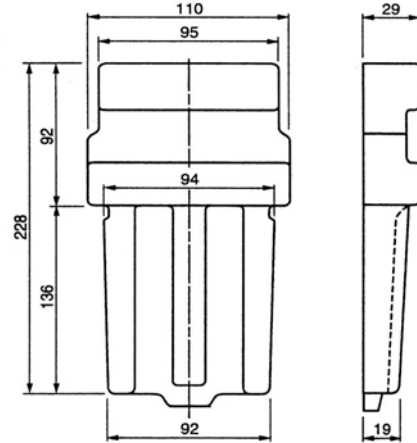
1450348-08



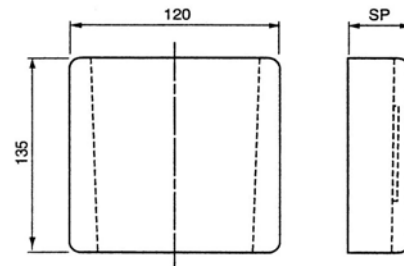
1450345-08



14130016-08

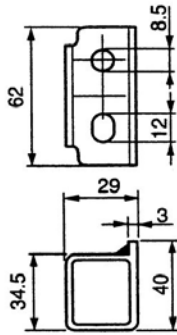


1450019-08

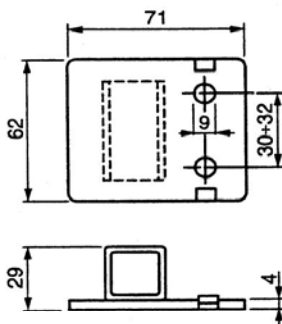


1450020-08

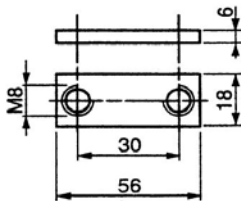
CODE	DESCRIPTION	SURFACE	WEIGHT
1450348-08	pin d=17/30	without protection	0,75
1450345-08	pin d=24/17	without protection	0,21
14130016-08	pin for system TR3	without protection	0,6
1450018-08	coupling male and female part-set	without protection	8,2
1450019-08	coupling male part	without protection	5,9
1450020-08	coupling female part	without protection	2,3



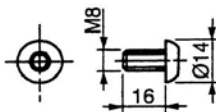
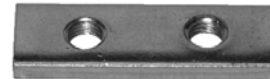
1455010-03



1450844-03



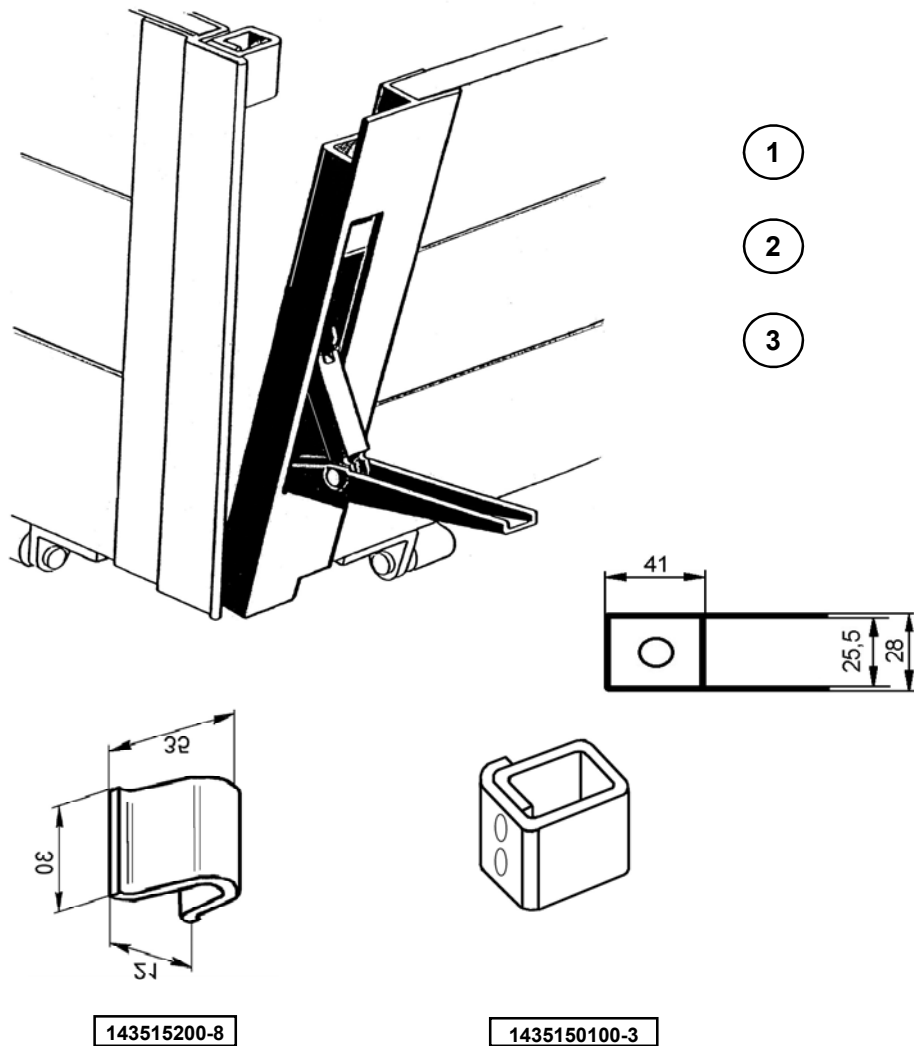
1480053-03



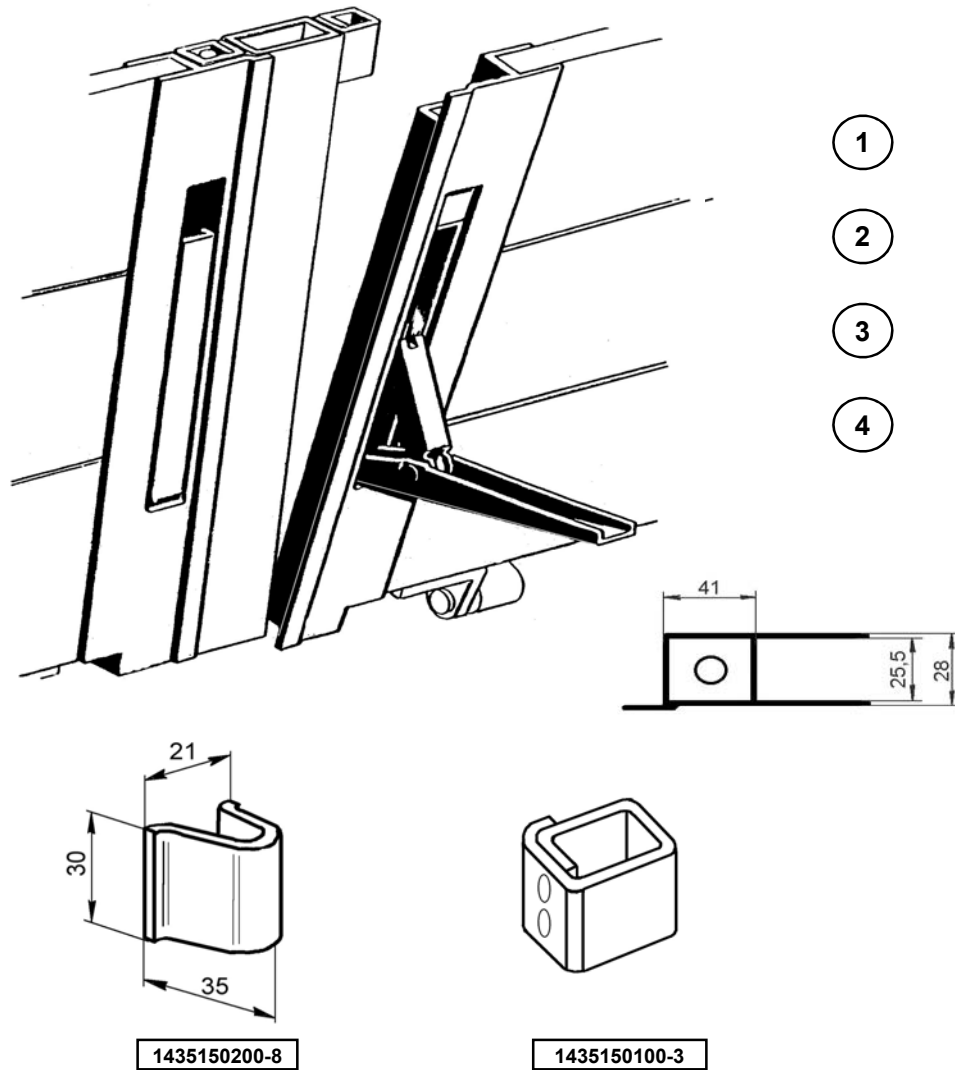
1415344110-3



CODE	DESCRIPTION	SURFACE	WEIGHT
1455010-03	stricker	zinc plated	0,17
1450844-03	rear zinc plated stricker to screw	zinc plated	0,21
1480053-03	plate	zinc plated	0,04
1415344110-03	screw M 8X16	zinc plated	0,005



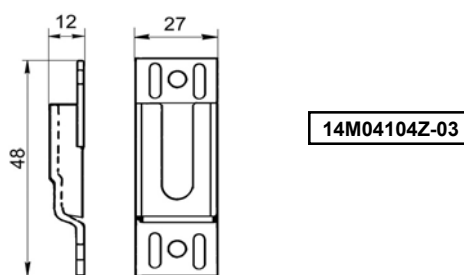
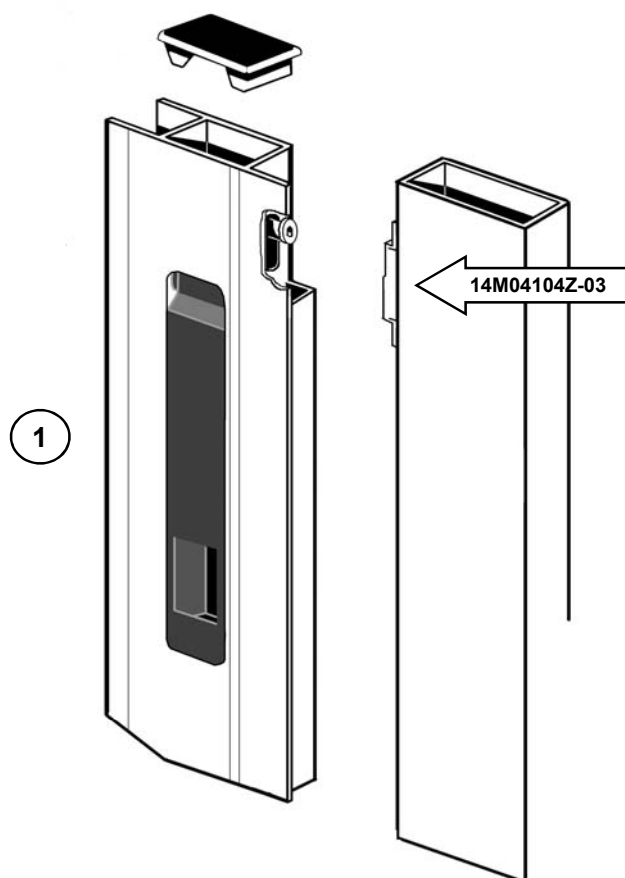
	CODE	DESCRIPTION	SURFACE	WEIGHT
1	14M40782DX02	pillars without ledge right 400 mm	elox	1,08
	14M40782SX02	pillars without ledge left 400 mm	elox	1,08
2	14M40783DX02	pillars without ledge right 500 mm	elox	1,16
	14M40783SX02	pillars without ledge left 500 mm	elox	1,16
3	14M40784DX02	pillars without ledge right 600 mm	elox	1,24
	14M40784SX02	pillars without ledge left 600 mm	elox	1,24
	1435150200-8	slip-steel	raw	0,04
	1435150100-3	slip to be screwed	zinc plated	0,05



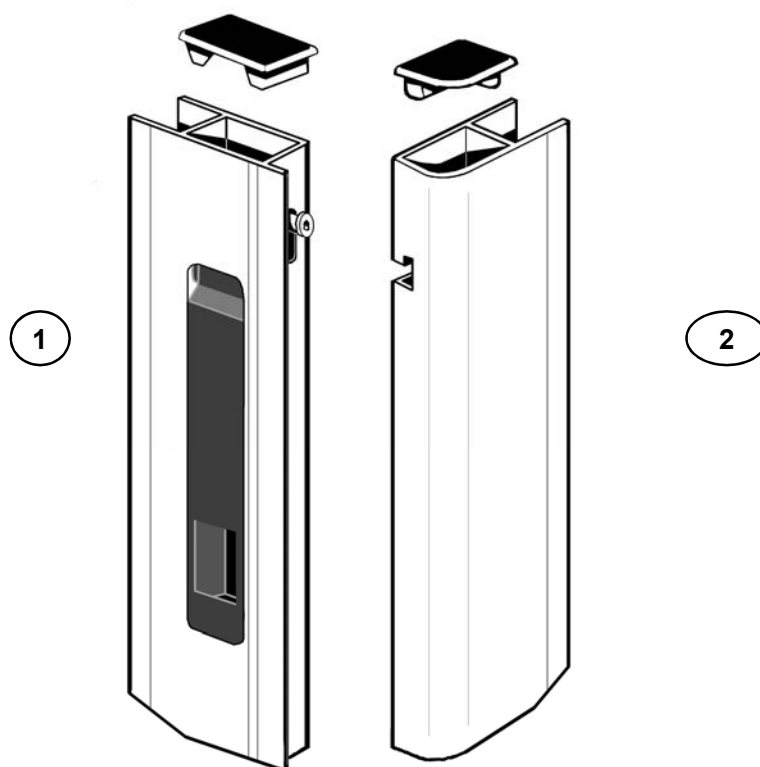
1435150200-8

1435150100-3

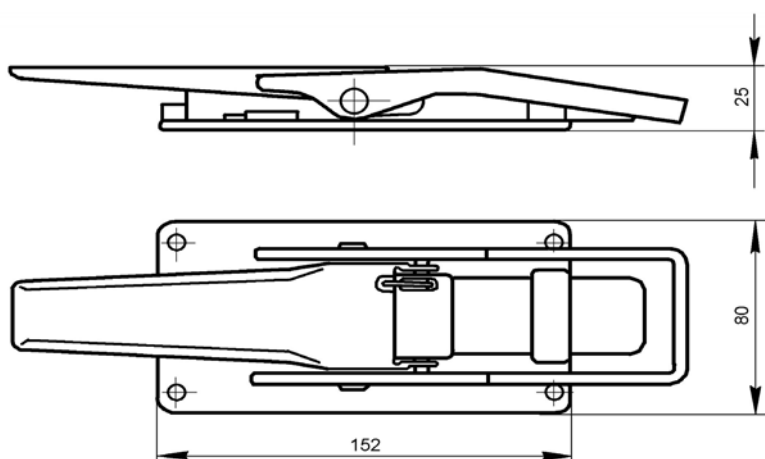
	CODE	DESCRIPTION	SURFACE	Kg/pcs
1	14M40792DX02	pillars with ledge right 400 mm	elox	1,14
	14M40792SX02	pillars with ledge left 400 mm	elox	1,14
2	14M40793DX02	pillars with ledge right 500 mm	elox	1,26
	14M40793SX02	pillars with ledge left 500 mm	elox	1,26
3	14M40794DX02	pillars with ledge right 600 mm	elox	1,34
	14M40794SX02	pillars with ledge left 600 mm	elox	1,34
4	14M40765DX02	pillars with ledge right 800 mm	elox	2,04
	14M40765SX02	pillars with ledge left 800 mm	elox	2,04
	1435150200-8	slip-steel	raw	0,04
	1435150100-3	slip to be screwed	zinc plated	0,05



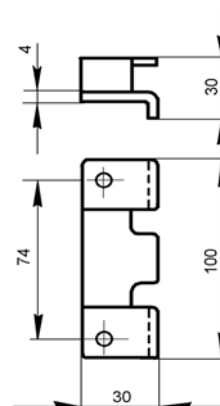
CODE	DESCRIPTION	SURFACE	WEIGHT
14M41012DX02	Aluminium pillars front right 400 mm	elox	0,7
14M41012SX02	Aluminium pillars front left 400 mm	elox	0,7
14M04104Z-03	slip for front pillar	zinc plated	0,05



CODE	DESCRIPTION	SURFACE	Kg/pcs
1	14M41022DX02	Aluminium pillars front right 400 mm male	elox 0,64
	14M41022SX02	Aluminium pillars front left 400 mm male	elox 0,64
2	14M41032DX02	Aluminium pillars front right 400 mm female	elox 0,36
	14M41032SX02	Aluminium pillars front left 400 mm female	elox 0,36



1605-010-3

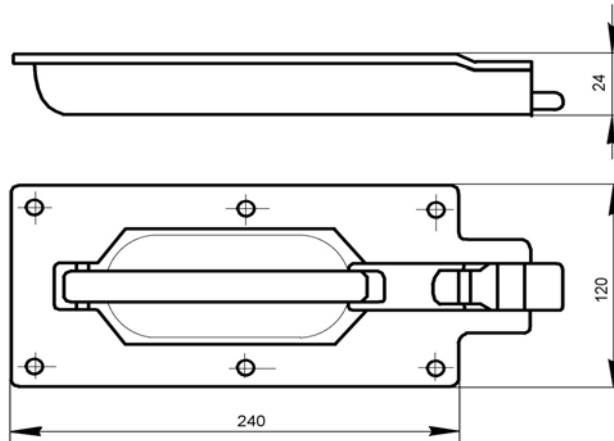
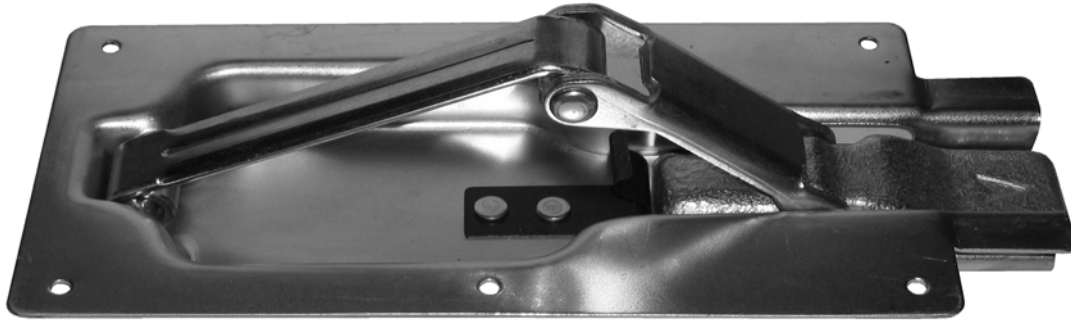


1605-011-3

CODE	DESCRIPTION	SURFACE	Kg/pcs
1605-010-3	"TICO" lock 152x80	zinc plated	0,91
1605-011-3	"TICO" strike	zinc plated	0,105

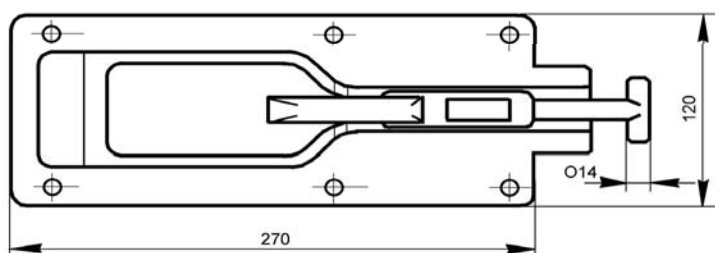
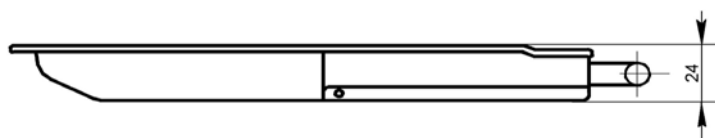
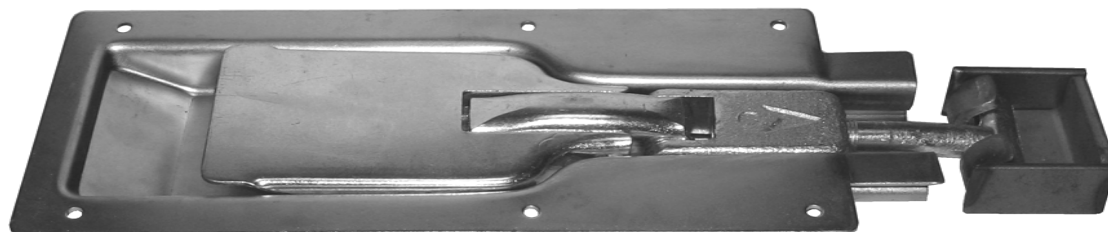
6.23

SIDE BOARD LOCKS



1605-020-3

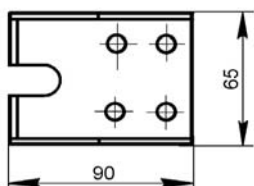
CODE	DESCRIPTION	SURFACE	WEIGHT
1605-020-3	Bolt lock 240x120	zinc plated	1,05



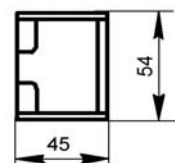
1605-030-3



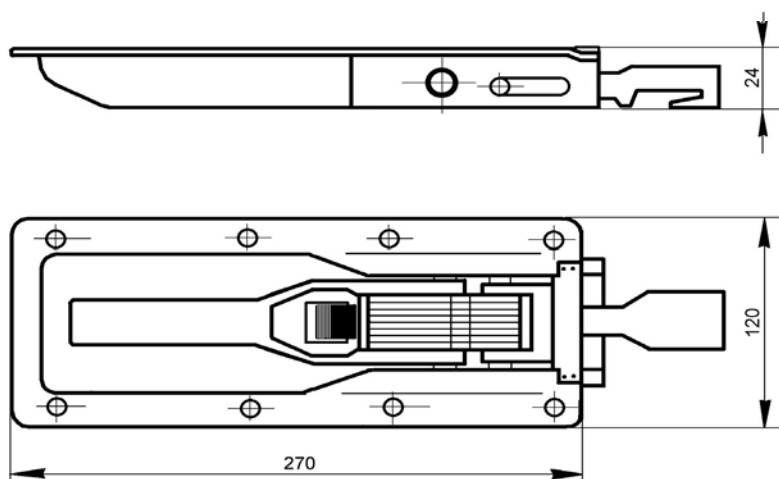
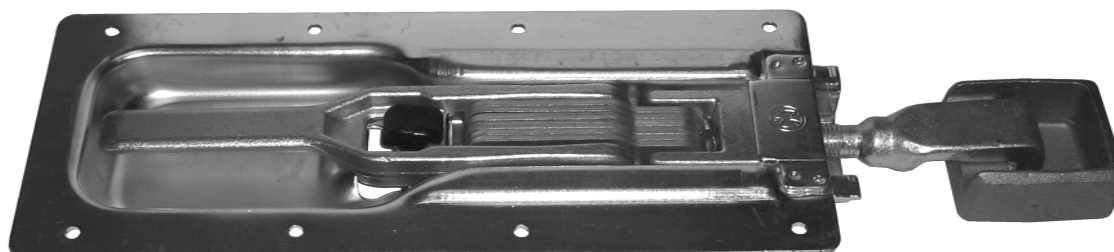
1605-031-3



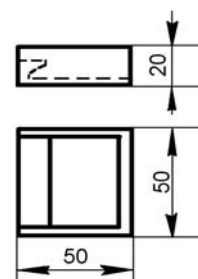
1605-032-8



KATAL. BR.	DESCRIPTION	SURFACE	Kg/pcs
1605-030-3	T flush mounted lock without striker	zinc plated	1,28
1605-032-8	strike - steel	natur	0,19
1605-031-3	strike - zinc plated	zinc plated	0,29

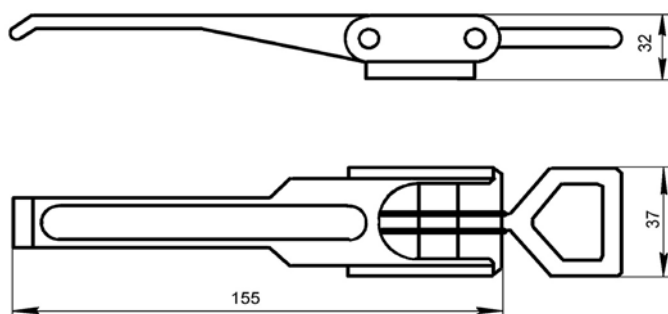
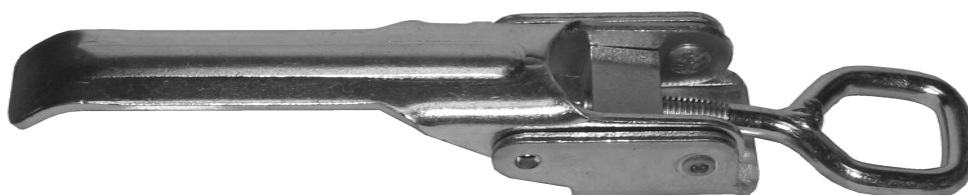


1605-040-3

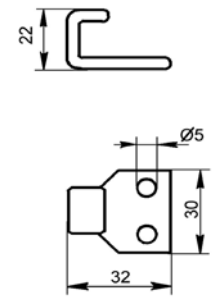


1605-041-8

KATAL. BR.	DESCRIPTION	SURFACE	WEIGHT
1605-040-3	mounted lock with claw	zinc plated	0,27
1605-041-8	strike - steel	natur	0,028

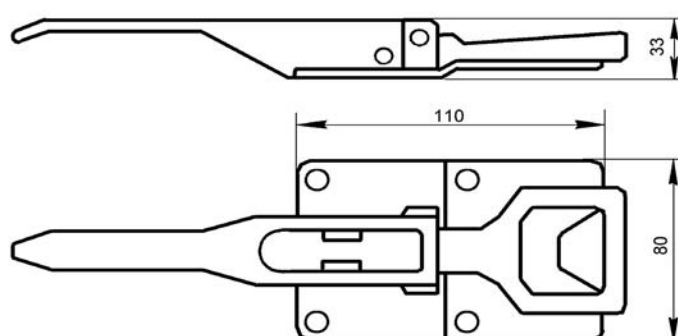
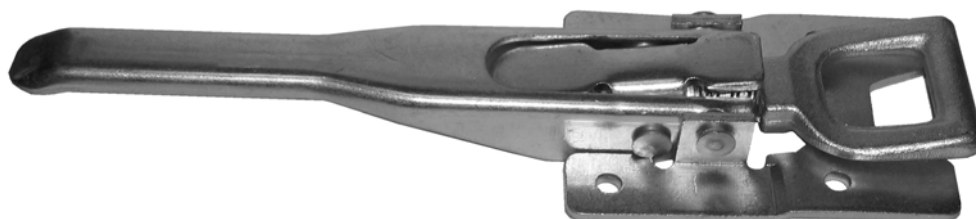


1605-050-3

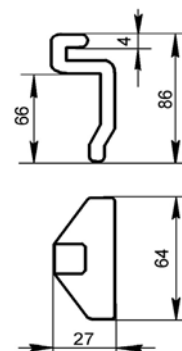


1605-051-3

KATAL. BR.	DESCRIPTION	SURFACE	WEIGHT
1605-050-3	zinc plated lock 155x37	zinc plated	0,27
1605-051-3	zinc plated strike 155x37	zinc plated	0,028

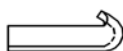
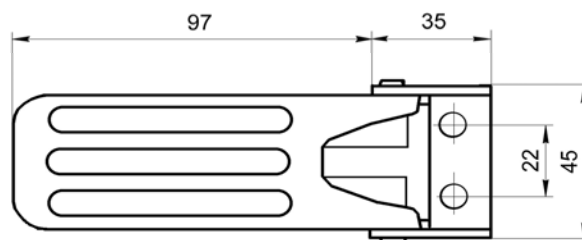
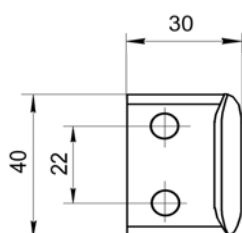


1605-060-3



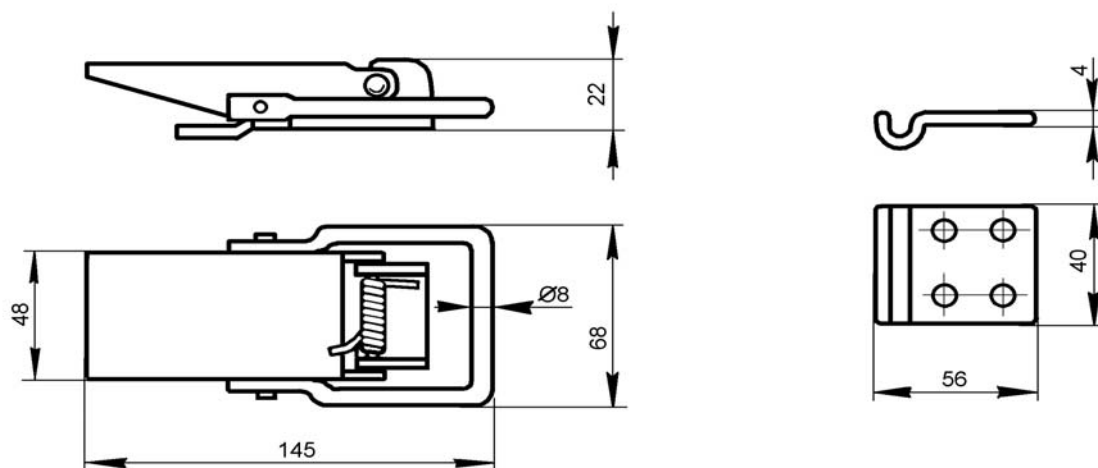
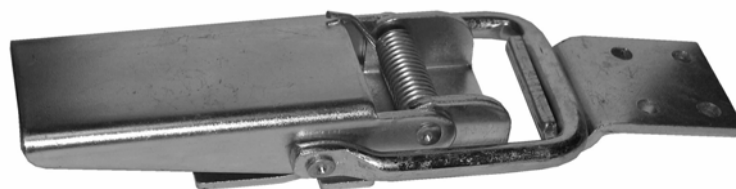
1605-061-3

KATAL. BR.	DESCRIPTION	SURFACE	Kg/pcs
1605-060-3	lock type W 110x80	zinc plated	0,65
1605-061-3	strike 110x80	zinc plated	0,13



1605-070-3

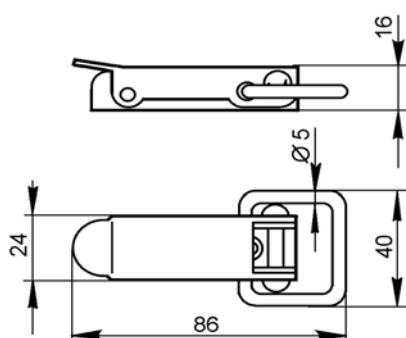
CODE	DESCRIPTION	SURFACE	WEIGHT
1605-070-3	Zinc plated steel adjustable bonnet hook	zinc plated	0,17



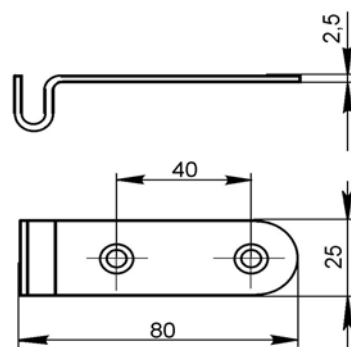
1605-080-3

1605-081-3

CODE	DESCRIPTION	SURFACE	WEIGHT
1605-080-3	outer lock with padlock seat, without striker	zinc plated	0,35
1605-081-3	striker	zinc plated	0,085

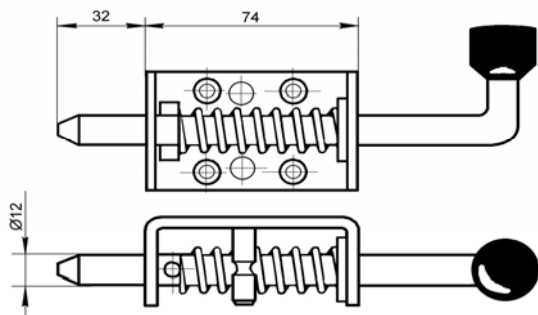


1605-090-3

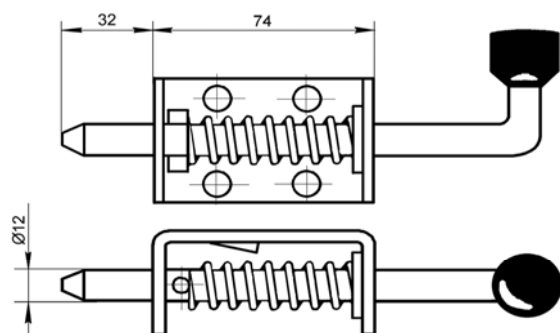


1605-091-3

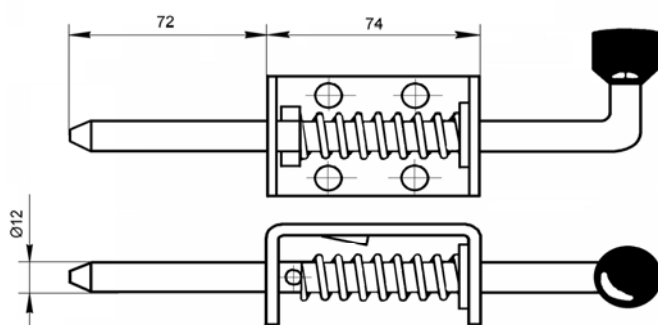
CODE	DESCRIPTION	SURFACE	WEIGHT
1605-090-3	toggle latches 86 mm	zinc plated	0,1
1605-091-3	strike 86 mm	zinc plated	0,06



1605-110-3



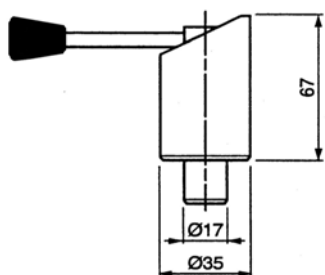
1605-120-4



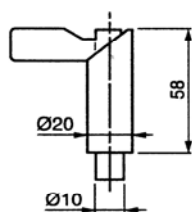
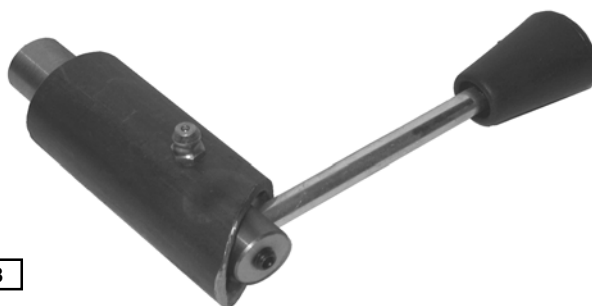
1605-130-4



CODE	DESCRIPTION	SURFACE	WEIGHT
1605-110-3	spring bolt 106 mm	zinc plated	0,35
1605-120-4	spring bolt 106 mm	inox	0,34
1605-030-4	spring bolt 146 mm	inox	0,38



1605-140-8



1605-150-3

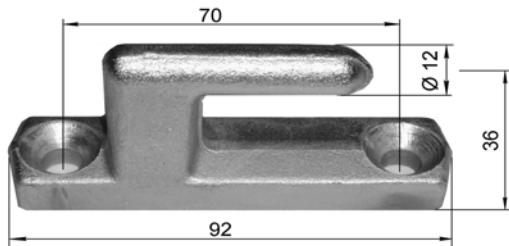


CODE	DESCRIPTION	SURFACE	WEIGHT
1605-140-8	spring bolt big	natur	0,42
1605-150-3	spring bolt small	zinc plated	0,137

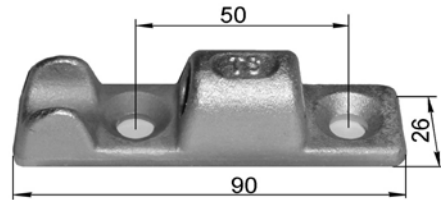
6.33

"TIR" HINGES
90-mm

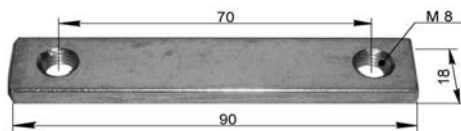
EUROWIND



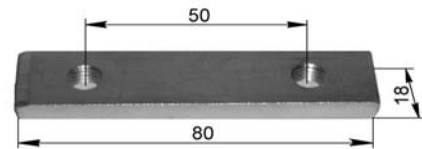
1604-011-3



1604-012-3



1604-024-3



1604-013-3

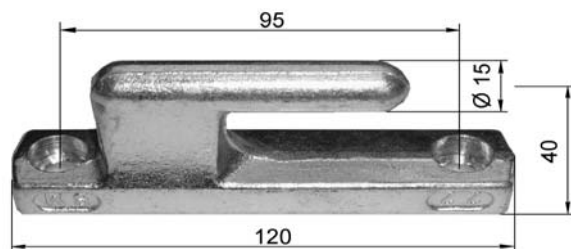


1604-014-3

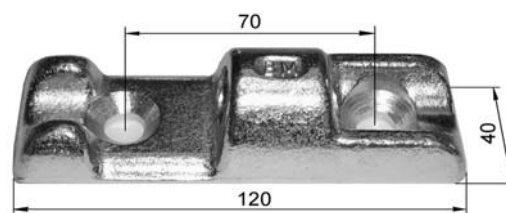


1604-015-3

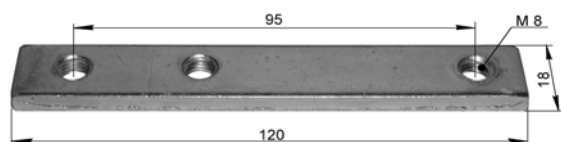
CODE	DESCRIPTION	SURFACE	WEIGHT
1604-010-3	TIR hinge garniture 90 mm	zinc plated	0,645
1604-011-3	TIR hinge 90 mm	zinc plated	0,21
1604-012-3	TIR hinge without fixing holes 90 mm	zinc plated	0,255
1604-024-3	back plate 70 mm	zinc plated	0,08
1604-013-3	back plate 50 mm	zinc plated	0,07
1604-014-3	vijak 8x25	zinc plated	0,017
1604-015-3	screw 8x20	zinc plated	0,013



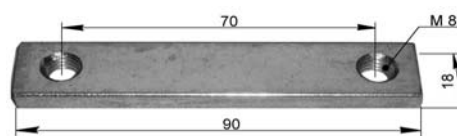
1604-021-3



1604-022-3



1604-023-3



1604-024-3

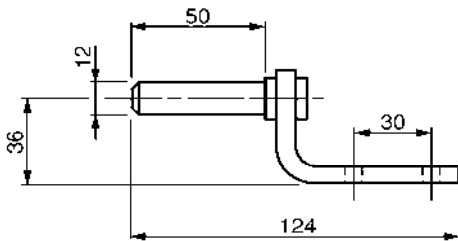
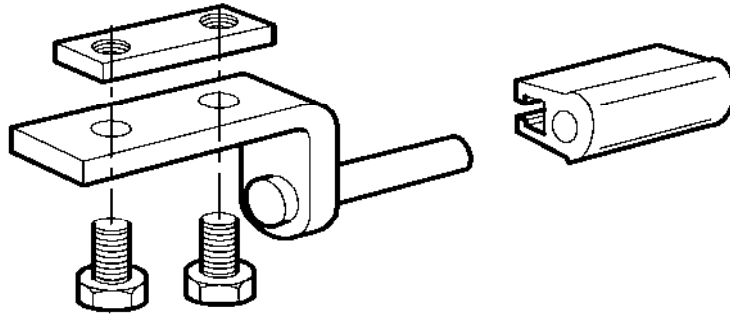


1604-025-3

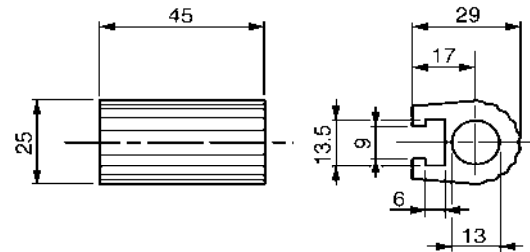


1604-014-3

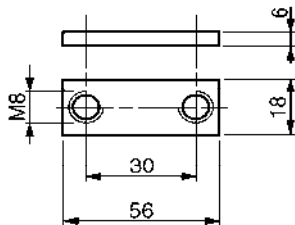
CODE	DESCRIPTION	SURFACE	WEIGHT
1604-010-3	TIR hinge garniture 120 mm	zinc plated	0,645
1604-011-3	TIR hinge 120 mm	zinc plated	0,21
1604-012-3	TIR hinge without fixing holes 120 mm	zinc plated	0,255
1604-024-3	back plate 95 mm	zinc plated	0,08
1604-013-3	back plate 70 mm	zinc plated	0,07
1604-014-3	screw 8x30	zinc plated	0,017
1604-015-3	screw 8x20	zinc plated	0,013



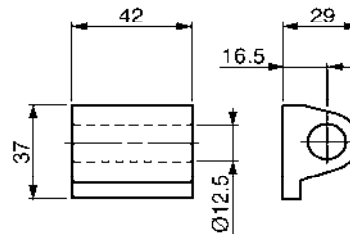
1604-032-3



1604-033-2

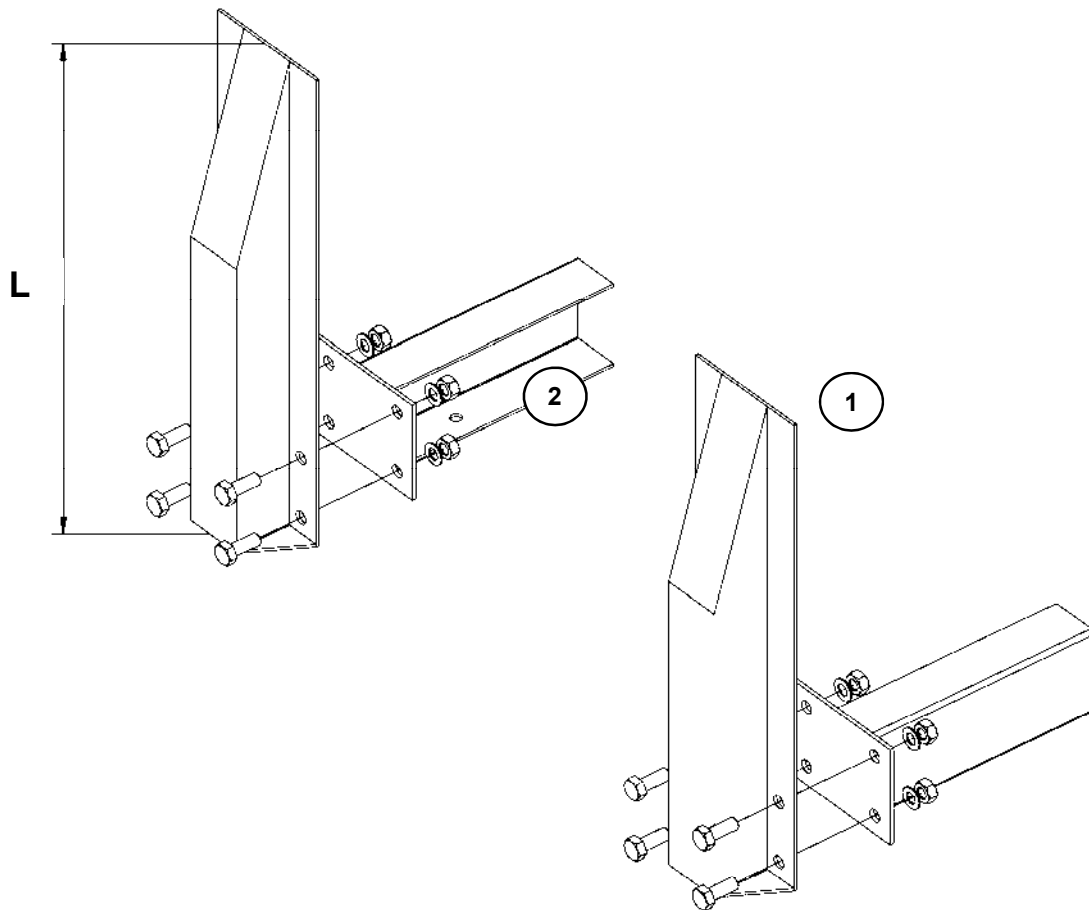


1604-033-3



1604-034-3

CODE	DESCRIPTION	SURFACE	WEIGHT
1604-032-3	pin	zinc plated	0,2
1604-033-2	light aluminium hinge	elox	0,05
1604-033-2	plate	natur	0,18
1604-031-3	light hinge 30 mm	zinc plated	0,04

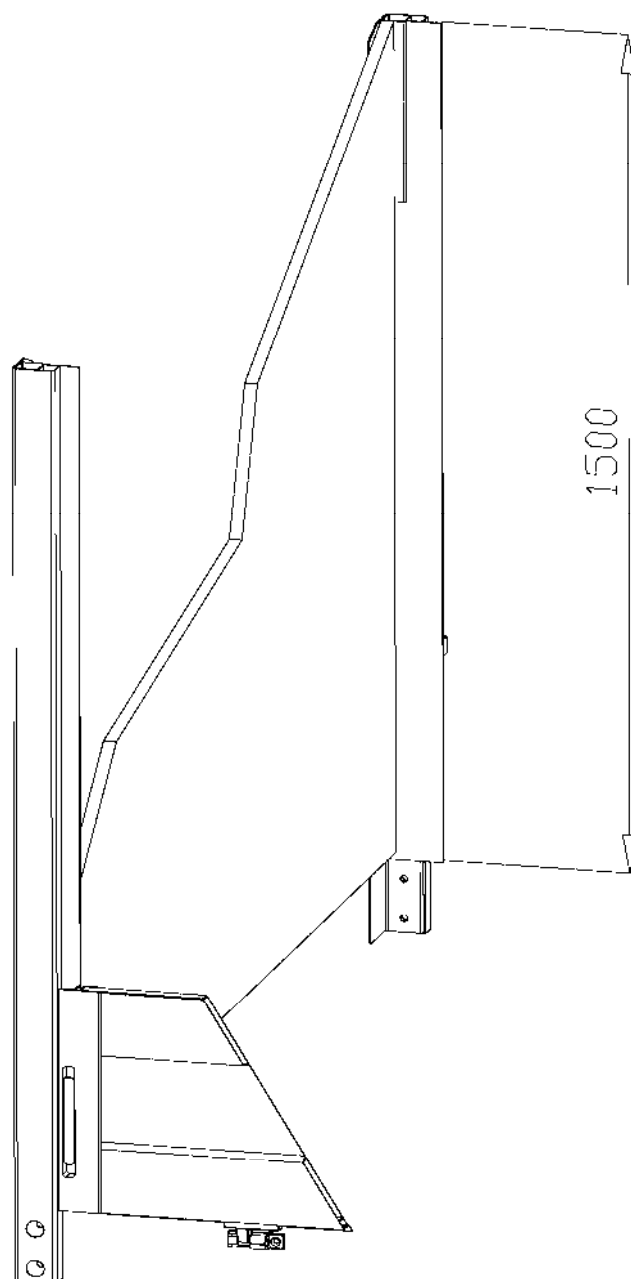


	CODE	DESCRIPTION	L -mm	SURFACE	WEIGHT
1	14040-TC01	frontal pillars for side 400mm	400	natur	5
1	14125-TC01	frontal pillars for side 1250mm	1250	natur	12
1	14150-TC01	frontal pillars for side 1500mm	1500	natur	15
2	14150-BDX01	Nosač čeonog stuba - desni		natur	3
2	14150-BSX01	Nosač čeonog stuba - levi		natur	3

6.37

FRONT PANEL CORNER PILLAR

EUROWIND



KATALOŠKI BR	DESCRIPTION	KG/pcs
14150-FSX01	Front panel corner pillar 1500mm, left	20
14150-FDX01	Front panel corner pillar 1500mm, right	20